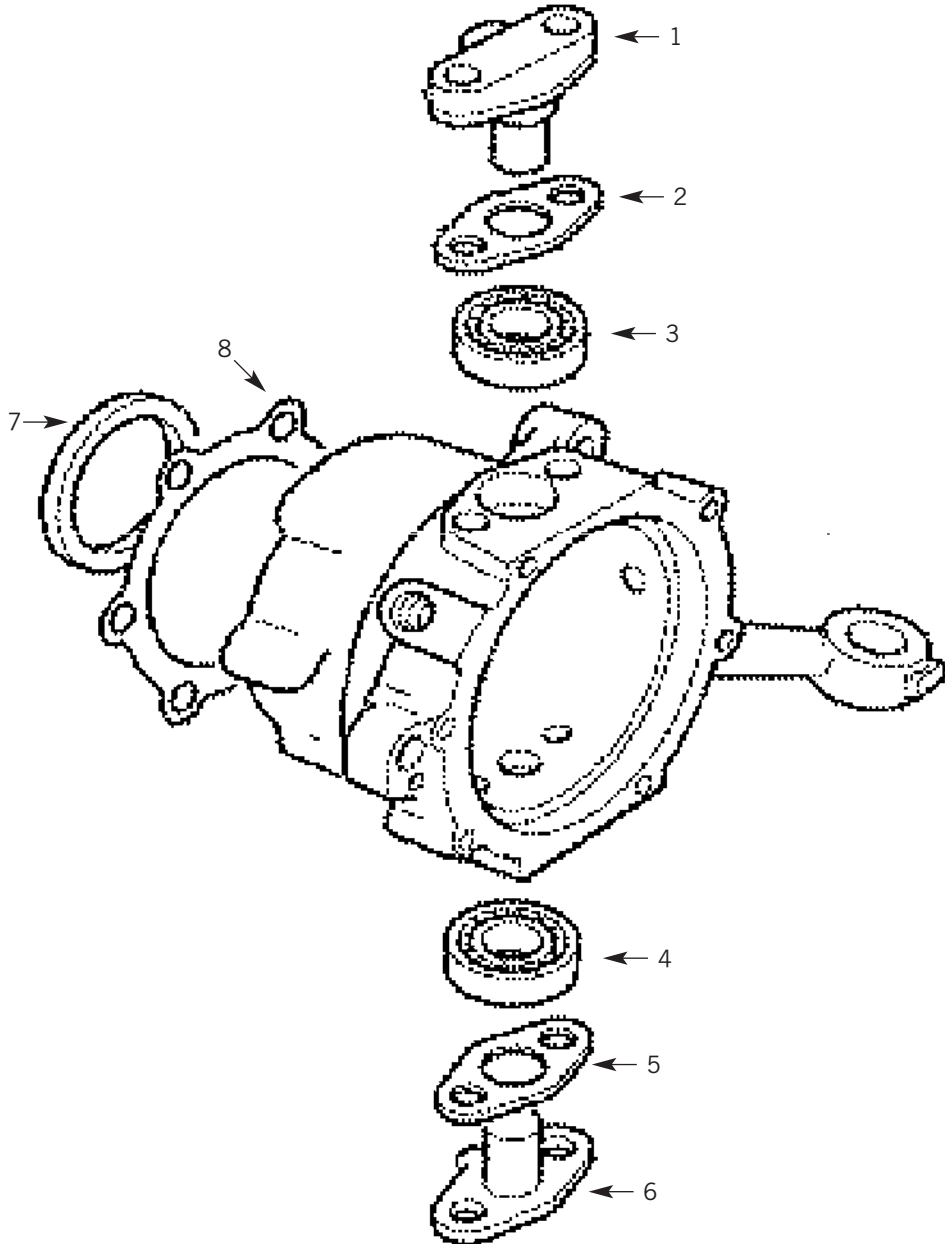




Swivel Housing

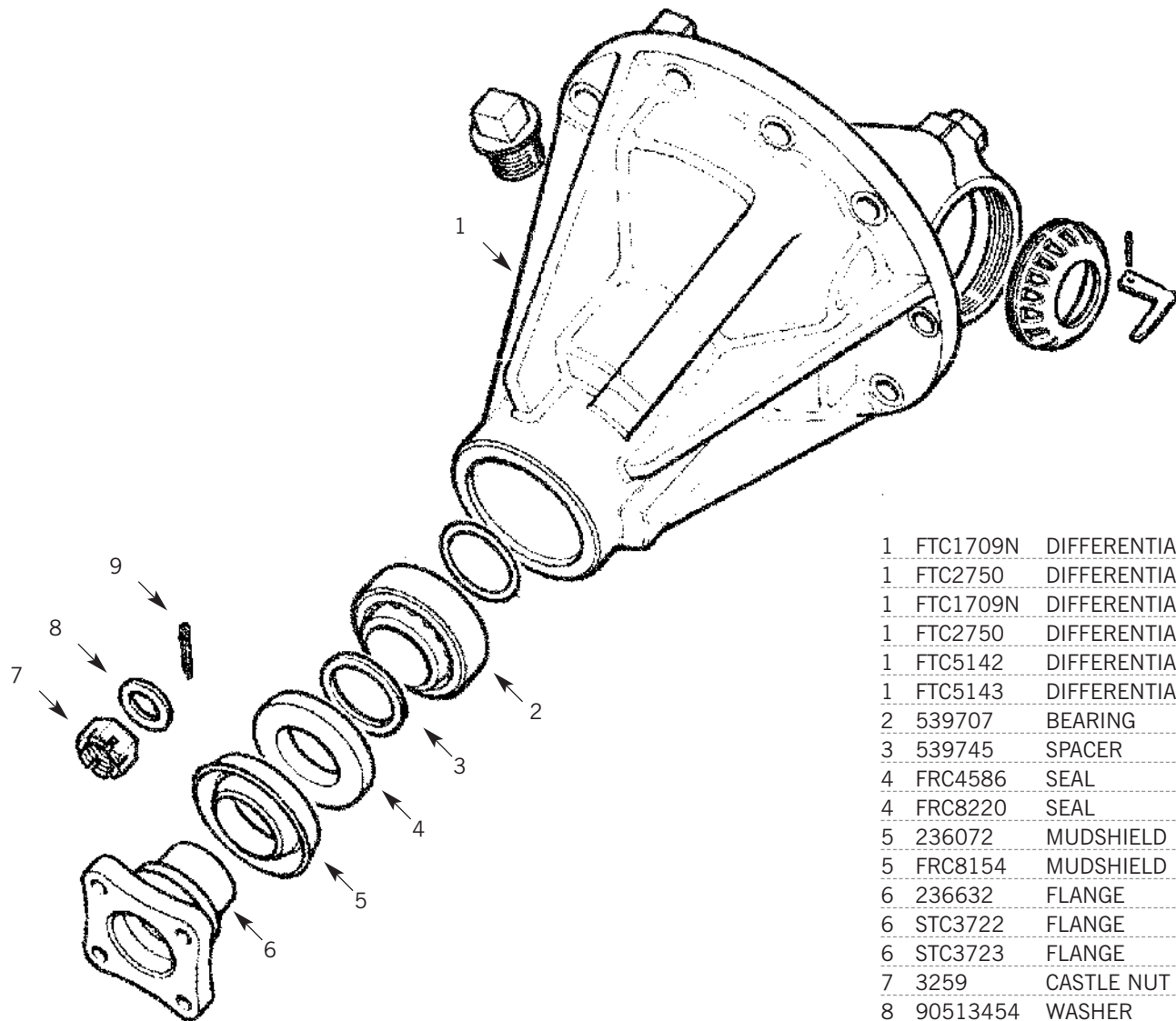


1	571756	SWIVEL PIN	TO JA 624516	NO ABS	
1	FTC2882	SWIVEL PIN	FROM JA 624517	NO ABS	
1	STC226	SWIVEL PIN		ABS	
2	571743	SHIM	TO JA 624516	NO ABS	0.003"
2	571744	SHIM	TO JA 624516	NO ABS	0.005"
2	571745	SHIM	TO JA 624516	NO ABS	0.10"
2	571746	SHIM	TO JA 624516	NO ABS	0.30"
2	FRC2883	SHIM	TO JA 624516	ABS	0.003"
2	FRC2884	SHIM	TO JA 624516	ABS	0.005"
2	FRC2885	SHIM	TO JA 624516	ABS	0.01"
2	FRC2886	SHIM	TO JA 624516	ABS	0.03"
2	FRC2883	SHIM	FROM JA 624517		0.003"
2	FRC2884	SHIM	FROM JA 624517		0.005"
2	FRC2885	SHIM	FROM JA 624517		0.01"
2	FRC2886	SHIM	FROM JA 624517		0.03"
3	606666	BEARING		NO ABS	
4	606666	BEARING		NO ABS	
5	571815	GASKET	TO JA 624516	NO ABS	
5	FTC3647	GASKET	FROM JA 624517	NO ABS	
5	FTC3647	GASKET		ABS	
6	571819	LOWER PIN	TO JA 624516	NO ABS	
6	FRC2894	LOWER PIN	FROM JA 624517	NO ABS	
6	FRC2894	LOWER PIN		ABS	
7	571821	THRUST WASHER	TO HA 610293	NO ABS	
7	FTC840	SEAL	TO HA 610293	ABS	
7	FTC56	THRUST WASHER	FROM JA 610294		
7	FTC5268	SEAL	FROM JA 610294		
8	571751	GASKET	TO 01/07/85		
8	FTC3648	GASKET	01/07/85 ON		

STC3435		One Shot Swivel Housing Grease			



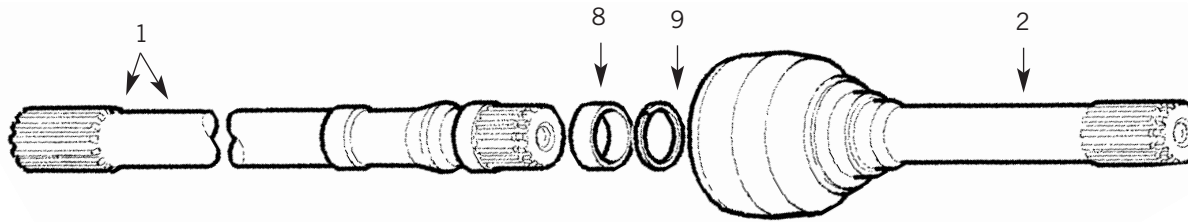
Differential



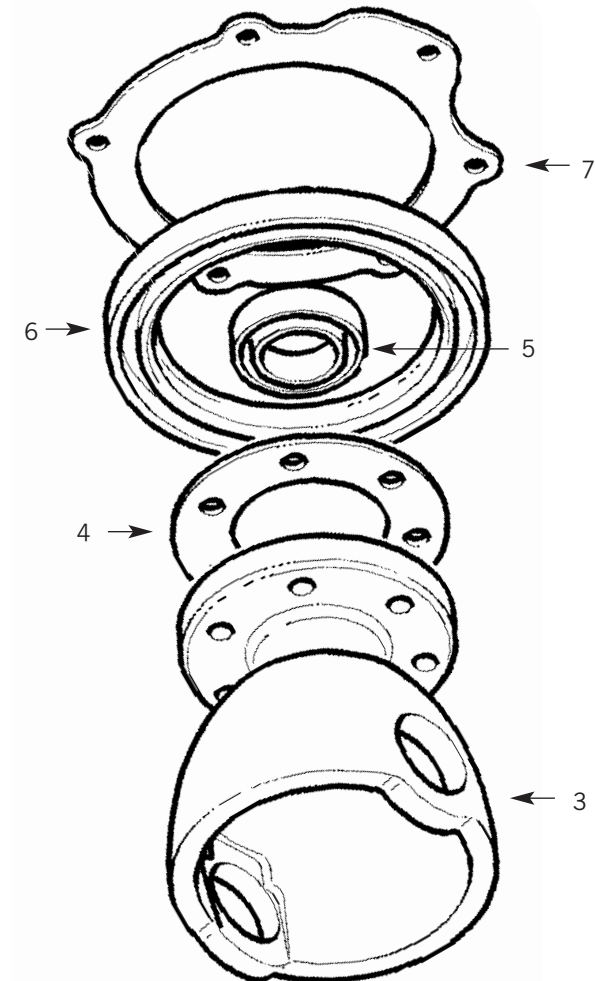
1	FTC1709N	DIFFERENTIAL	TO 01/07/85	FRONT OR REAR	
1	FTC2750	DIFFERENTIAL	01/07/85 TO CA	FRONT OR REAR	
1	FTC1709N	DIFFERENTIAL	CA - JA 623679	FRONT OR REAR	
1	FTC2750	DIFFERENTIAL	JA 623680 - KA 637567	FRONT OR REAR	10 SPLINE
1	FTC5142	DIFFERENTIAL	FROM KA 637568	FRONT OR REAR	24 SPLINE
1	FTC5143	DIFFERENTIAL	FROM MA 647645	REAR	24 SPLINE
2	539707	BEARING			
3	539745	SPACER			
4	FRC4586	SEAL	TO 01/07/85		
4	FRC8220	SEAL	FROM 01/07/85		
5	236072	MUDSHIELD	TO 01/07/85		
5	FRC8154	MUDSHIELD	FROM 01/07/85		
6	236632	FLANGE		4 SPLINE	
6	STC3722	FLANGE	FROM CA	4 BOLT	
6	STC3723	FLANGE	FROM MA 647645	3 BOLT	
7	3259	CASTLE NUT			
8	90513454	WASHER			
9	PS608101L	SPLIT PIN			



Front Drive Shafts



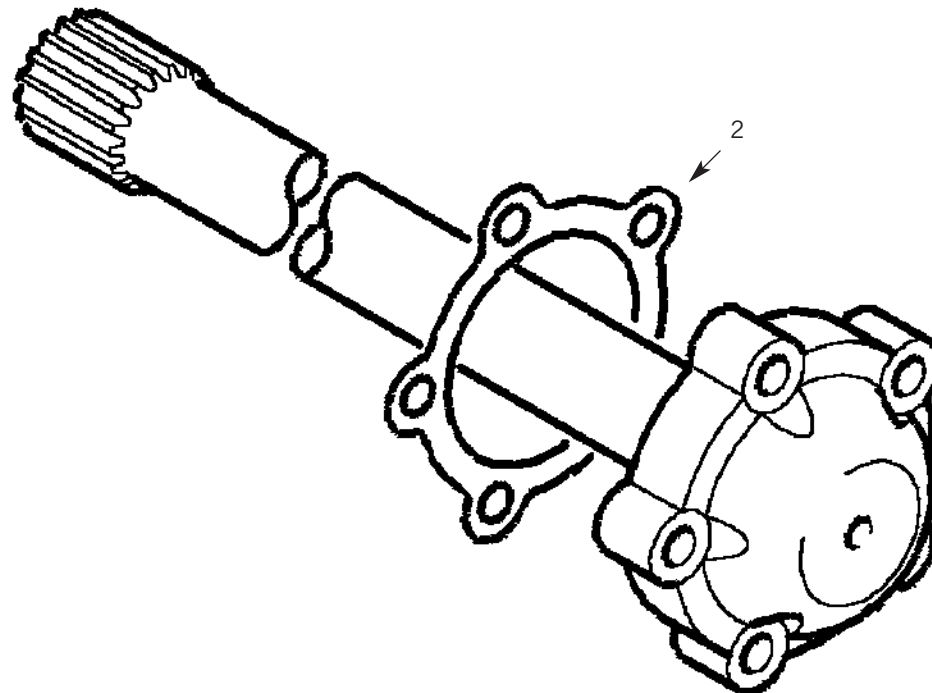
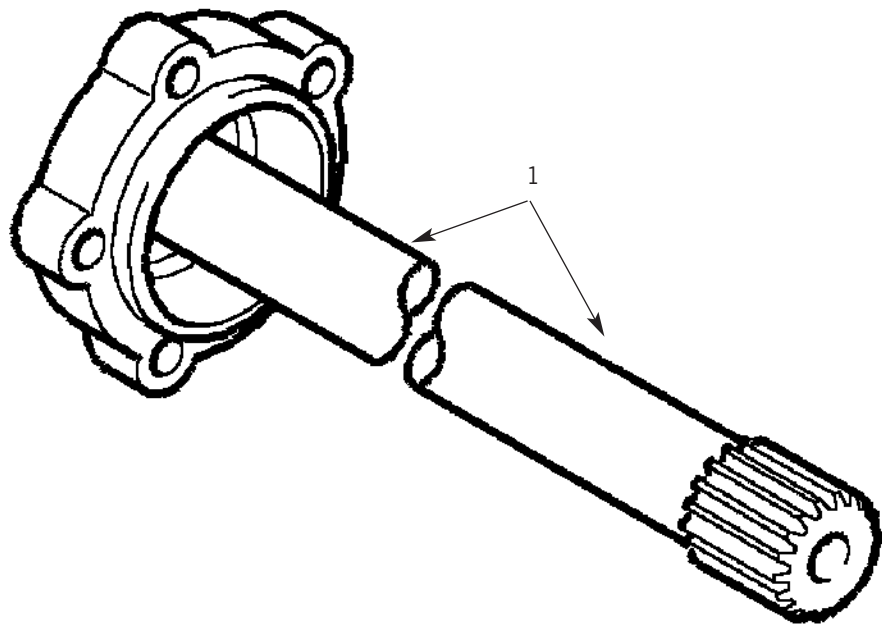
1	606662	DRIVE SHAFT RH	TO EA 305589		
1	606663	DRIVE SHAFT LH	TO EA 305589		
1	RTC5840	DRIVE SHAFT RH	EA 305590 - JA 624755	NO ABS	
1	RTC5842	DRIVE SHAFT LH	EA 305590 - JA 624755	NO ABS	
1	RTC6754	DRIVE SHAFT RH	FROM KA 624756	NO ABS	AXLE NO. DEPENDENT
1	TDC000020	DRIVE SHAFT RH	FROM KA 624756	NO ABS	AXLE NO. DEPENDENT
1	RTC6755	DRIVE SHAFT LH	FROM KA 624756	NO ABS	AXLE NO. DEPENDENT
1	STC3050	DRIVE SHAFT LH	FROM KA 624756	NO ABS	AXLE NO. DEPENDENT
1	RTC6754	DRIVE SHAFT RH	TO HA 610293	ABS	
1	RTC6755	DRIVE SHAFT LH	TO HA 610293	ABS	
1	RTC6754	DRIVE SHAFT RH	FROM KA 624756	ABS	AXLE NO. DEPENDENT
1	TDC000020	DRIVE SHAFT LH	FROM KA 624756	ABS	AXLE NO. DEPENDENT
1	RTC6755	DRIVE SHAFT RH	FROM KA 624756	ABS	AXLE NO. DEPENDENT
1	STC3050	DRIVE SHAFT LH	FROM KA 624756	ABS	AXLE NO. DEPENDENT
2	606665	CV JOINT	TO EA 305589	NO ABS	
2	RTC5843	CV JOINT	EA 305590 - JA 624755	NO ABS	
2	RTC6811	CV JOINT	FROM KA 624756	NO ABS	AXLE NO. DEPENDENT
2	TDJ000010	CV JOINT	FROM KA 624756	NO ABS	AXLE NO. DEPENDENT
2	RTC6811	CV JOINT	TO HA 610293	ABS	
2	RTC6811	CV JOINT	FROM JA 610293	ABS	AXLE NO. DEPENDENT
2	TDJ000010	CV JOINT	FROM JA 610293	ABS	AXLE NO. DEPENDENT
3	571766	SWIVEL HOUSING	TO 01/07/85	NO ABS	
3	TIR100000	SWIVEL HOUSING	01/07/85 ON	NO ABS	
3	FTC5105	SWIVEL HOUSING	01/07/85 ON	ABS	
4	571890	GASKET	TO 01/07/85	NO ABS	
4	FTC3646	GASKET	01/07/85 ON	NO ABS	
5	571718	SEAL			
6	571890	SEAL	12mm		
6	FTC3401	SEAL	9mm		
7	571755	PLATE	TO KA 624756	NO ABS	
8	90606664	SPACER	TO CA		
8	FTC254	SPACER	CA - EA 305589		
8	RTC5841	SPACER	EA 305590 ON		
9	571822	SLEEVE	TO JA 610293	NO ABS	





B
E
A
R
M
A
C
H

Rear Drive Shafts



1	571882	DRIVE SHAFT RH	TO JA 624516	NO ABS	
1	571883	DRIVE SHAFT LH	TO JA 624516	NO ABS	
1	FTC3186	DRIVE SHAFT RH	FROM JA 624517	NO ABS	10 SPLINE
1	FTC3187	DRIVE SHAFT LH	FROM JA 624517	NO ABS	10 SPLINE
1	FTC3270	DRIVE SHAFT RH	FROM JA 624517	NO ABS	24 SPLINE
1	FTC3271	DRIVE SHAFT LH	FROM JA 624517	NO ABS	24 SPLINE
1	FTC870	DRIVE SHAFT RH	TO JA 624754	ABS	10 SPLINE
1	FTC871	DRIVE SHAFT LH	TO JA 624754	ABS	10 SPLINE
1	FTC3186	DRIVE SHAFT RH	FROM JA 624756	ABS	10 SPLINE
1	FTC3187	DRIVE SHAFT LH	FROM JA 624756	ABS	10 SPLINE
1	FTC3270	DRIVE SHAFT RH		ABS	24 SPLINE
1	FTC3271	DRIVE SHAFT LH		ABS	24 SPLINE
2	571752	GASKET			

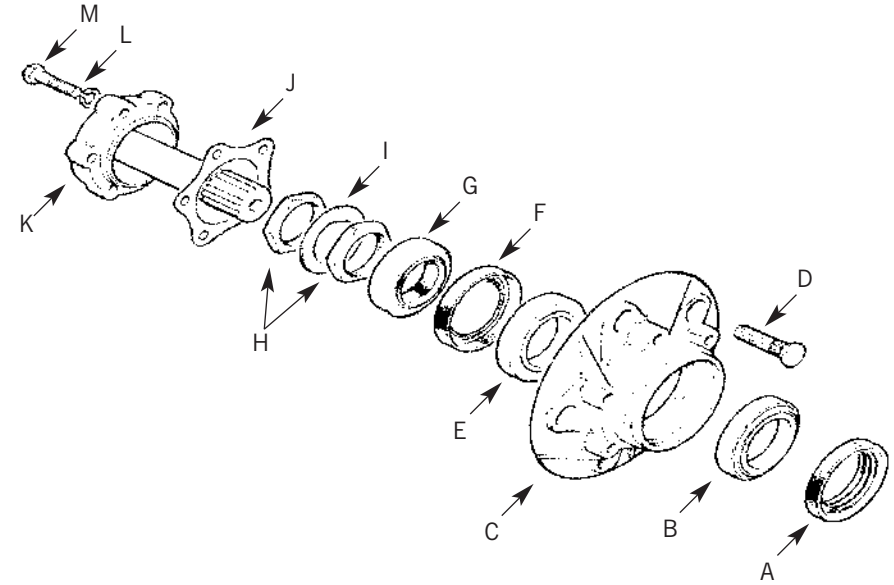
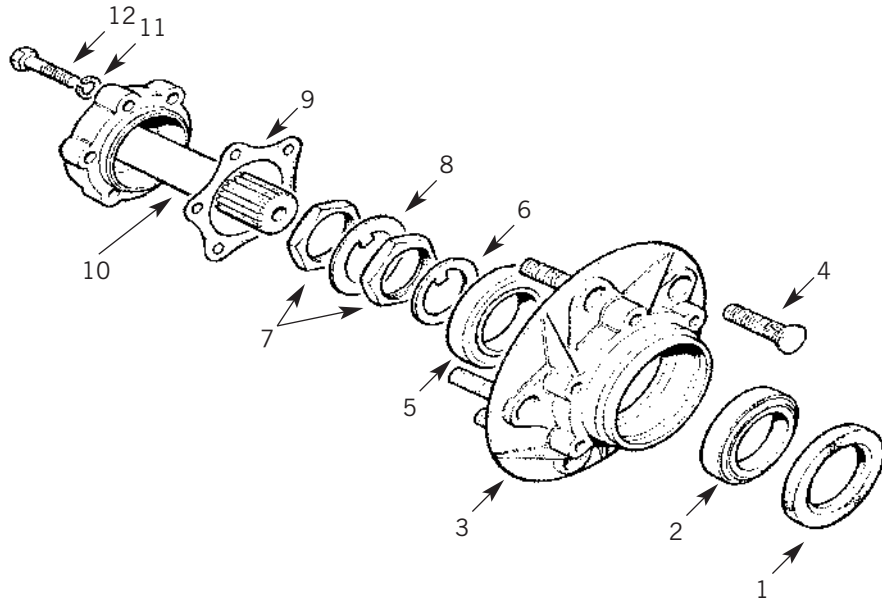
Tel: +44 (0)29 20 856 550

Manufacturers' part numbers are used for reference purposes only



B
E
A
R
I
N
G
M
A
C
H

Front Hub Assembly



UP TO 01/07/85

1	RTC3508	SEAL	8mm
1	RTC3511	SEAL	12mm
2	RTC3429	BEARING	
3	FRC5927	HUB	
4	FRC5926	STUD	
5	RTC3429	BEARING	
6	217352	LOCK TAB	
7	FRC8700	LOCK NUT	
8	217353	LOCK TAB	
9	571752	GASKET	
10	571761	HALF SHAFT	
11	WM600061L	WASHER	
12	279146	BOLT	

01/07/85 TO JA 624516 NO ABS

A	FTC4785	SEAL	
B	FRC3429	BEARING	
C	FTC1457	HUB	
D	FRC5926	STUD	
E	RTC3429	BEARING	
F	FRC8222	SEAL	
G	FRC8227	SEAL TRACK	
H	FRC8700	LOCK NUT	
I	FRC8002	LOCK TAB	
J	571752	GASKET	
K	571761	HALF SHAFT	
L	WM600061L	WASHER	
M	279146	BOLT	

FROM CA WITH ABS

1	FTC4785	SEAL	
2	RTC3429	BEARING	
3	FTC942	HUB	
4	FRC5926	STUD	
5	RTC3429	BEARING	
6	217352	LOCK TAB	TO JA 624755
6	FTC3185	LOCK TAB	FROM JA 624756
7	FRC8700	LOCK NUT	
8	217353	LOCK TAB	
8	FTC3179	LOCK TAB	FROM JA 624517
9	571752	GASKET	
10	RUC105200	FLANGE	
11	WM600061L	WASHER	
12	BX110095M	BOLT	

Website - www.bearingmach.com

PARTS SUITABLE FOR
RANGE ROVER - Classic

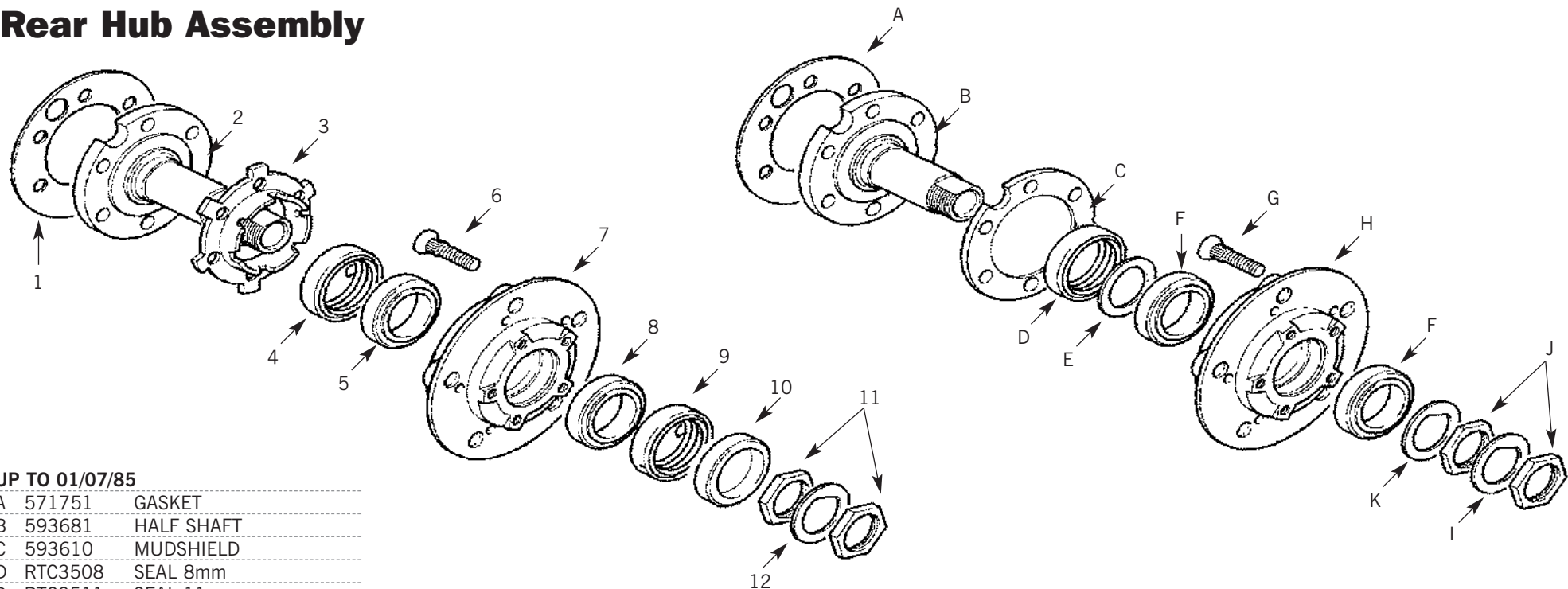
PAGE
5

QUICK REFERENCE

AXLE



Rear Hub Assembly



UP TO 01/07/85

A	571751	GASKET
B	593681	HALF SHAFT
C	593610	MUDSHIELD
D	RTC3508	SEAL 8mm
D	RTC3511	SEAL 11mm
E	571742	SLEEVE
F	RTC3429	BEARING
G	FRC5926	STUD
H	FRC5927	HUB
I	217353	LOCK TAB
J	217355	LOCK NUT
K	217352	LOCK TAB

01/07/85 TO JA 624516 NO ABS

1	FTC3648	GASKET
2	FRC8005	STUB AXLE
3	FRC2310	LOCKING PLATE
4	FTC4785	SEAL
5	RTC3429	BEARING
6	FRC5926	STUD
7	FTC1457	HUB
8	RTC3429	BEARING
9	FRC8222	SEAL
10	FRC8227	SPACER
11	FRC8002	LOCK TAB
12	FRC8700	LOCK NUT

FROM JA 624517 NO ABS

A	FTC3648	GASKET
B	FRC3188	STUB AXLE
C	FRC2310	PLATE
D	FTC4785	SEAL
E	SEE FICHE	SHIM
F	RTC3429	BEARING
G	FRC5926	STUD
H	FTC942	HUB
I	FTC3179	LOCK TAB
J	FRC8700	LOCK NUT
K	FTC3185	LOCK TAB

CA - HA 610293 ABS

A	FTC3650	GASKET
B	FTC950	STUB AXLE
C	FTC1378	PLATE
D	FTC4785	SEAL
E	SEE FICHE	SHIM
F	RTC3429	BEARING
G	FRC5926	STUD
H	FTC942	HUB
I	217352	LOCK TAB
J	FRC8700	LOCK NUT
K	217353	LOCK TAB

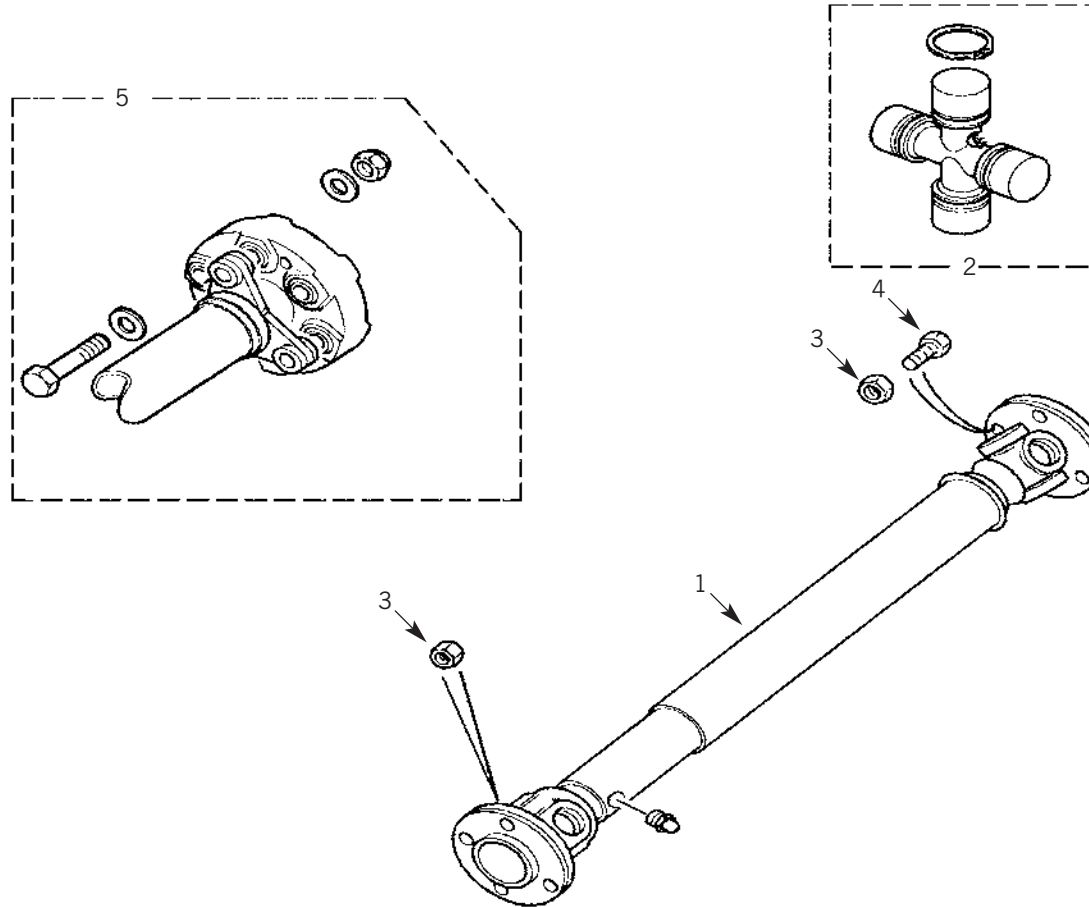
JA 610294 ON ABS

A	FTC3650	GASKET	
B	FTC950	STUB AXLE	OPTIONS
B	FTC3188	STUB AXLE	OPTIONS
C	FTC1378	PLATE	
D	FTC4785	SEAL	
E	549473	CIRCLIP	
F	RTC3429	BEARING	
G	FRC5926	STUD	
H	FTC942	HUB	
I	217352	LOCK TAB	OPTIONS
I	FTC3185	LOCK TAB	OPTIONS
J	FRC8700	LOCK NUT	
K	217353	LOCK TAB	OPTIONS
K	FTC3179	LOCK TAB	OPTIONS



B
E
A
R
M
A
C
H

Propshafts



FRONT

1	571995	PROPSHAFT			TO CA
1	FRC8641	PROPSHAFT	AUTOMATIC		TO CA
1	TVB100610	PROPSHAFT	NO CAT	PETROL	CA - HA 610293
1	FTC122	PROPSHAFT	NO CAT	DIESEL	CA - HA 610293
1	FRC9542	PROPSHAFT	CAT	PETROL	CA - HA 610293
1	FRC8641	PROPSHAFT	CAT	DIESEL	CA - HA 610293
1	FRC9542	PROPSHAFT		PETROL	JA 610294 ON
1	FTC122	PROPSHAFT		DIESEL	JA 610294 ON
2	RTC3346	UNIVERSAL JOINT			TO CA
2	RTC3458	UNIVERSAL JOINT			FROM CA
3	NZ606041L	NUT			
4	509045P	BOLT			

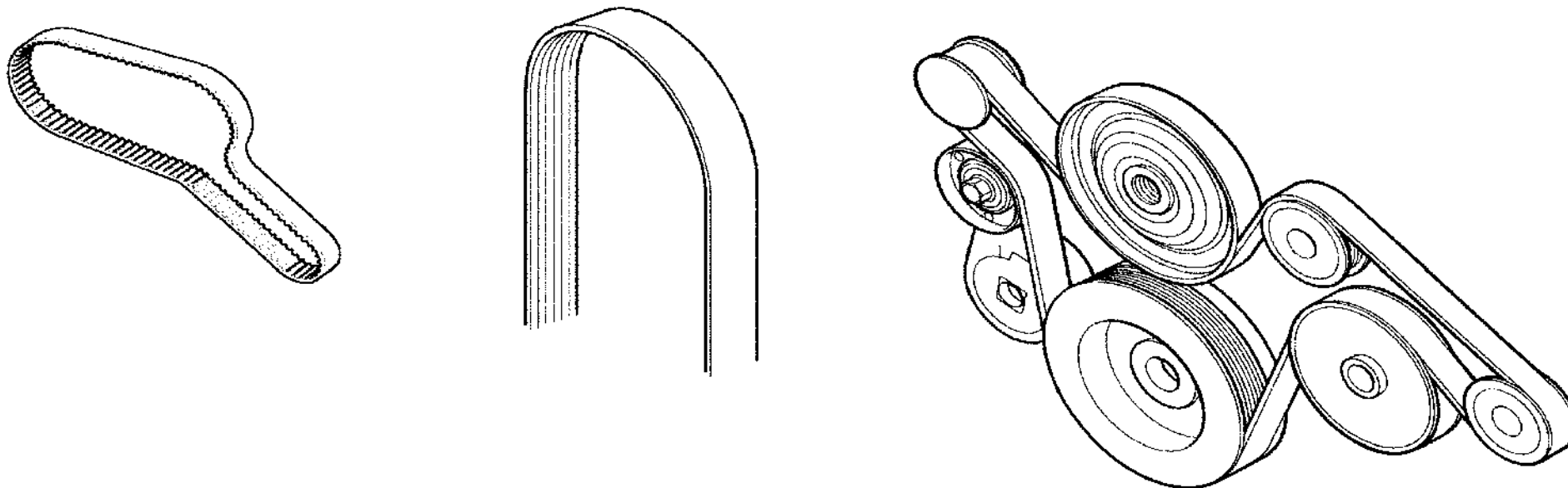
REAR

1	571973	PROPSHAFT			TO CA
1	FRC8387	PROPSHAFT	100" WHEELBASE		CA - MA 647644
1	TVB000150	PROPSHAFT	100" WHEELBASE		FROM MA 647645
1	FRC8389	PROPSHAFT	108" WHEELBASE		JA 610294 - MA 647644
1	FTC3910	PROPSHAFT	108" WHEELBASE		JA 610294 - MA 647644
2	RTC3346	UNIVERSAL JOINT			TO CA
2	RTC3458	UNIVERSAL JOINT			FROM CA
3	NZ606041L	NUT			
4	509045P	BOLT			
5	TVF100010	COUPLING			FROM MA 647645



Belts – Engine

See Engine Parts p26-27
Engine Gaskets p36



ENGINE	NOTE	YEAR	FAN	PAS	AIR CON	ALTERN	TENSIONER	TIMING	
3.5 V8	NON A/CON	to 85	613602	ERC675		FAN	SEE NOTE	ERC7929	CHAIN
3.5 V8	A/CON	to 85	614670	ERC675	611612	614794	SEE NOTE	ERC7929	CHAIN
3.5 V8	HOT CLIM +AUTO	to 85	611612	ERC675	ERC4055	614794	SEE NOTE	ERC7929	CHAIN
3.5 V8	ALL CARB	86 on	611612	ERC675	611612	ERR2073	SEE NOTE	ERC7929	CHAIN
3.5 V8	ALL EFI	86-90	611612	ERC675	611612	ETC7899	SEE NOTE	ERC7929	CHAIN
3.5 V8	ALL EFI	90 on	611612	ERC675	611612	ERR2073	SEE NOTE	ERC7929	CHAIN
3.9 V8	ALL EFI	86-92	611612	ERC675	611612	ERR2073	SEE NOTE	ERC7929	CHAIN
3.9 V8*	NON A/CON	92 on	ERR4461	ERC675		ERR2673	SEE NOTE	ERC7929	CHAIN
3.9 V8*	A/CON	92 on	ERR4623	ERC675	ERR4623	ERR2673	SEE NOTE	ERC7929	CHAIN
2.4 VM DIESEL		86-89	ETC9002	ETC9080	ETC9002	ETC900			GEARS
2.5 VM DIESEL		89-92	ERR416	ETC9101	ERR416	ERR416			GEARS
200TDI		92-93	ERR810	ERR810	ETC9009	ETC7469	ERR2530	ETC8550	BELT
300TDI		94-96	ERR3287	ERR3287	ERR2215	ERR3287	ERR4708	ERR1092	BELT
300TDI		96 on	ERR5911	ERR5911	ERR5911	ERR5911	ERR4708	ERR1092	BELT

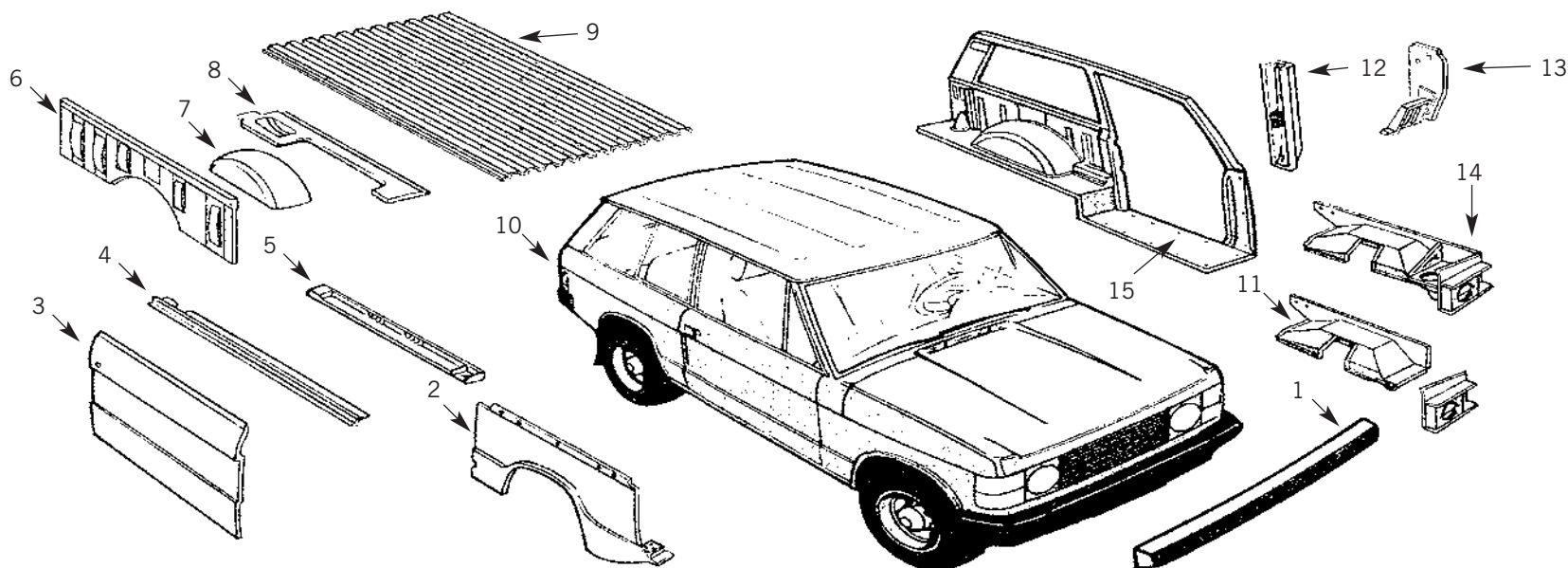
* FROM ENGINE NUMBER: 55B & 37D02090B & 38D27238B

NOTE - TENSIONER TO JA 624524 614718
FROM KA 624525 ERR3767



B
E
A
R
M
A
C
H

Body



1	NRC4766	FRONT BUMPER	BLACK	TO CA
1	NTC4281	FRONT BUMPER	BLACK	FROM CA
1	NTC3065	REAR BUMPER	BLACK	
2	STC729	RH FRONT WING		TO FA 374641
2	STC730	LH FRONT WING		TO FA 374641
2	MXC1408	RH FRONT WING		FA 374641 - HA 610293
2	MXC1409	LH FRONT WING		FA 374641 - HA 610293
2	STC729	RH FRONT WING	2 DOOR	FROM JA 610294
2	STC730	LH FRONT WING	2 DOOR	FROM JA 610294
2	MXC1408	RH FRONT WING	4 DOOR	FROM JA 610294
2	MXC1409	LH FRONT WING	4 DOOR	FROM JA 610294
3	BR 3560	RH DOOR SKIN	TO BA	MULTIPLE OPTIONS
3	BR 3561	LH DOOR SKIN	TO BA	MULTIPLE OPTIONS
4	BA 2047	RH REPAIR SILL	2 DOOR	TO CA
4	BA 2048	LH REPAIR SILL	2 DOOR	TO CA
5	RTC6320	INNER SILL PANEL	2 DOOR	TO CA
5	ALR3402	INNER SILL PANEL	2 DOOR	CA - HA 610293
6	BA 2038	RH INNER WING	2 DOOR	
6	BA 2037	LH INNER WING	2 DOOR	
7	BA 2036	RH WHEELARCH		
7	BA 2035	LH WHEELARCH		
8	BA 2040	RH FLOOR PANEL		
8	BA 2039	LH FLOOR PANEL		

9	MXC7581	REAR FLOOR		TO GA 441003
9	MXC7151	REAR FLOOR		GA 441004 - GA 464553
9	MXC9096	REAR FLOOR		FROM HA 464554
10	390371	REAR 1/4 PANEL RH	2 DOOR	TO CA
10	RTC6198	REAR 1/4 PANEL RH	2 DOOR	CA TO GA 464553
10	ALR1592	REAR 1/4 PANEL RH	2 DOOR	FROM HA 464554
10	390372	REAR 1/4 PANEL LH	2 DOOR	
10	MTC5538	REAR 1/4 PANEL RH	4 DOOR	TO CA 273922
10	RTC6199	REAR 1/4 PANEL RH	4 DOOR	DA 273923 - HA 464553
10	STC1394	REAR 1/4 PANEL RH	4 DOOR	FROM HA 464554
10	MTC5539	REAR 1/4 PANEL LH	4 DOOR	TO CA 273922
10	STC1395	REAR 1/4 PANEL LH	4 DOOR	FROM DA 273923
11	BA 2046	WHEELARCH RH		
11	BA 2045	WHEELARCH LH		
12	BA 2042	A-PILLAR RH		
12	BA 2041	A-PILLAR LH		
13	BA 2033	FOOTWELL RH		
13	BA 2032	FOOTWELL LH		
14	BR 1146	WHEELARCH RH		
14	BR 1149	WHEELARCH LH		
15	390381	OUTER SILL RH	2 DOOR	TO CA
15	390382	OUTER SILL LH	2 DOOR	TO CA
15	STC 85	OUTER SILL RH	2&4 DOOR	FROM DA
15	STC 86	OUTER SILL LH	2&4 DOOR	FROM DA

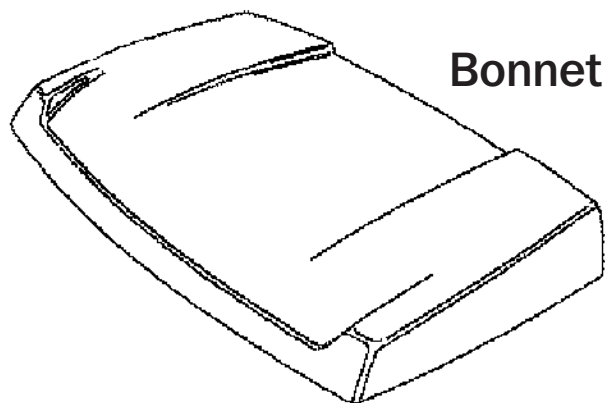
Website - www.bearmach.com

PARTS SUITABLE FOR
RANGE ROVER - Classic



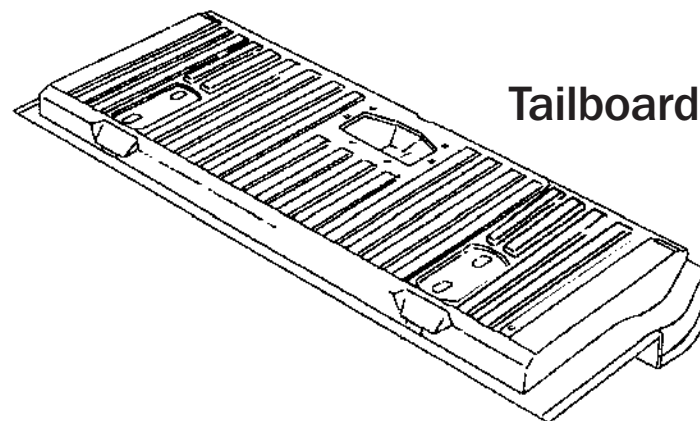
Body

B
E
A
R
M
A
C
H



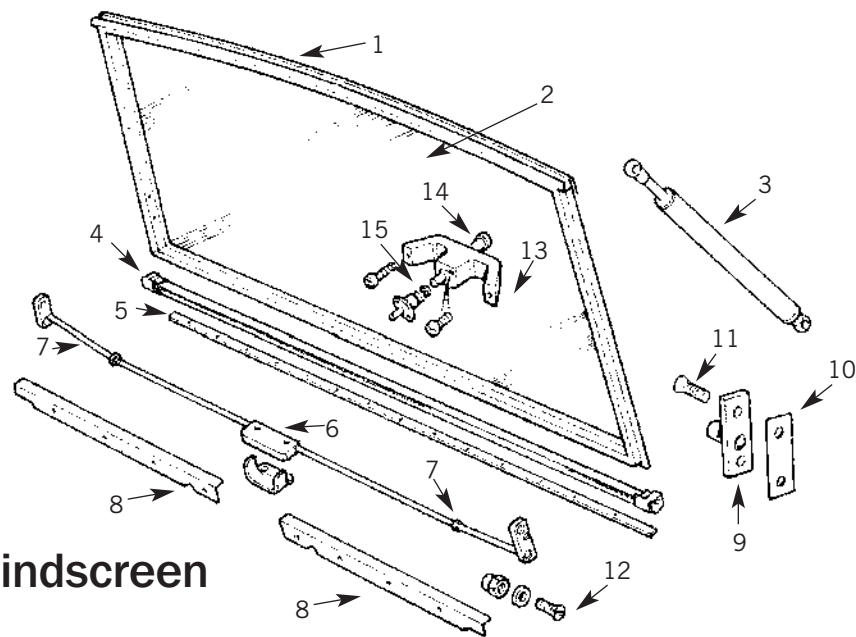
Bonnet

STC1655 BONNET TO CA 274120
STC1653 BONNET DA 274121 ON



Tailboard

STC601 TAILBOARD TO CA 273922
STC267 TAILBOARD DA 273923 - GA 441003
MXC9489 TAILBOARD FROM GA 441004



Windscreen

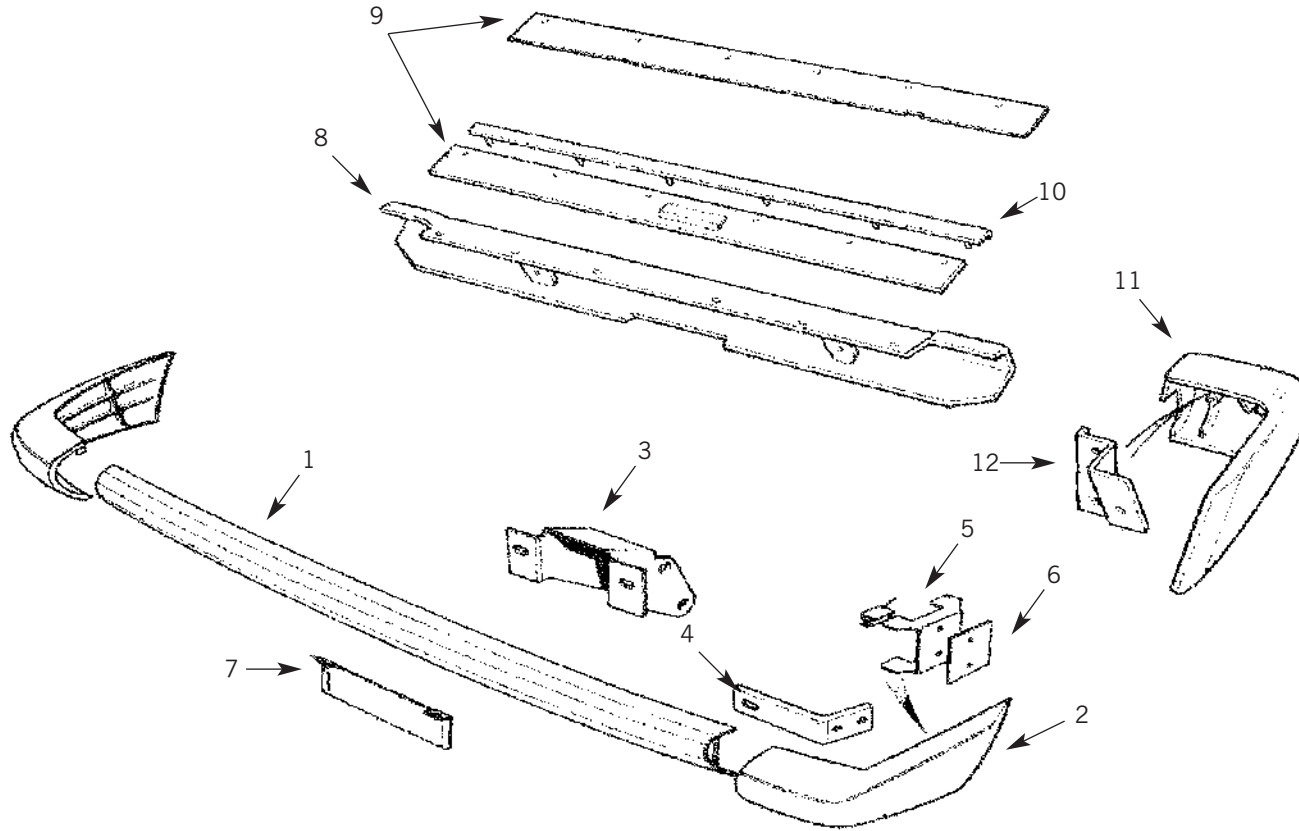
1	RTC3871	FRAME	TO CA
1	RTC4517	FRAME	CA - HA 610293
2	MRC6515	GLASS	TO CA UNHEATED
2	MWC1580	GLASS	TO EA 351846 UNHEATED
2	MXC1377	GLASS	FROM FA 351847 HEATED
3	MXC7833	STRUT	
4	390345	SEAL	TO BA 147004
4	MXC8422	SEAL	FROM BA 147005
5	390554	RETAINER	TO BA 147004
5	MTC7553	RETAINER	FROM BA 147005
6	MRC9263	LOCK	TO BA
6	MUC3295	LOCK	BA - CA
6	MUC6938	LOCK	FROM CA
7	MXC8420	LOCK - RH	
7	MXC8421	LOCK - LH	
8	MXC1389	LOCK - RH	
8	MUC6937	LOCK - LH	
9	MUC4135	STRIKER	
10	391373	SHIM	
11	SF604087	SCREW	
12	SF604087	SCREW	

Tel: +44 (0)29 20 856 550

Manufacturers' part numbers are used for reference purposes only



Bumpers & Cappings

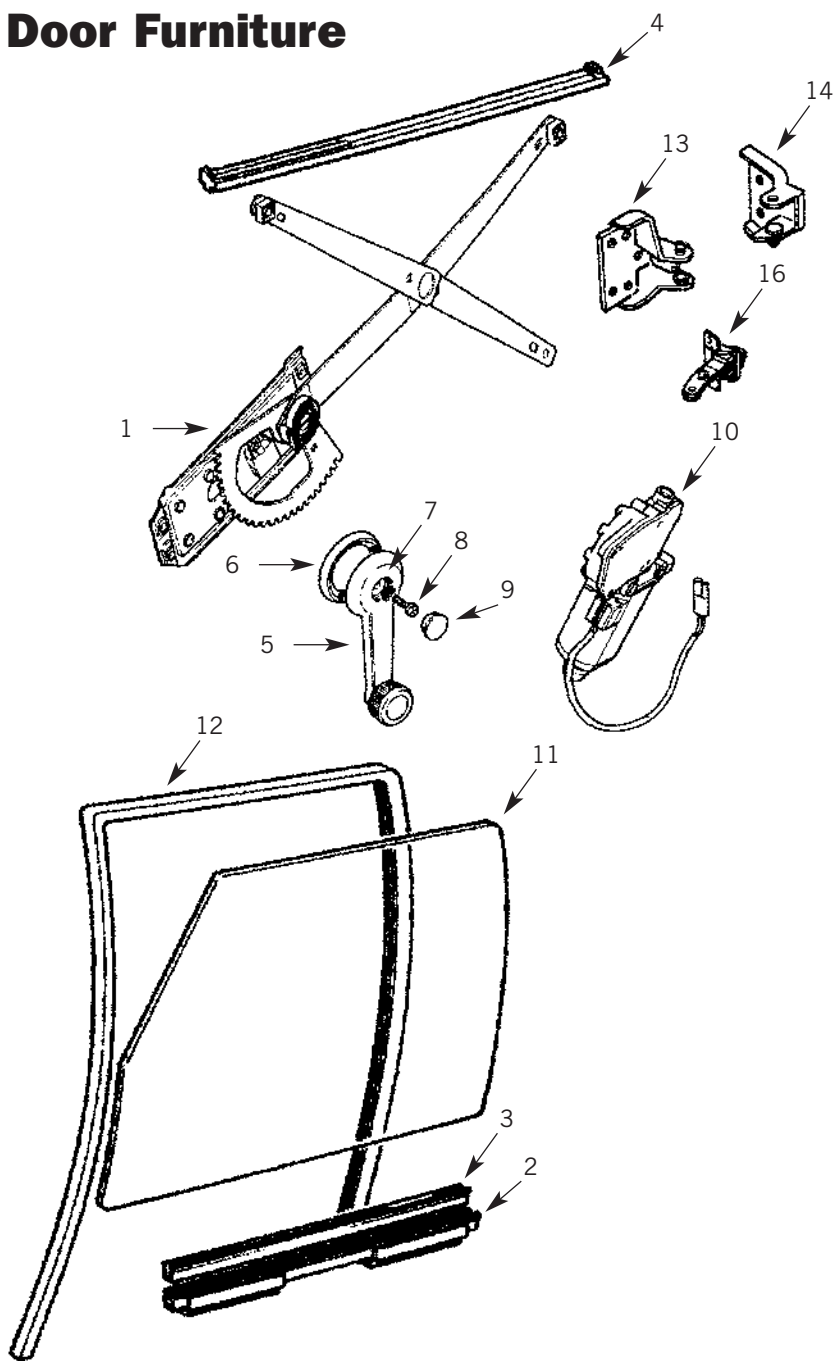


1	NRC4766	FRONT BUMPER	BLACK	TO CA
1	NTC4281	FRONT BUMPER	BLACK	FROM CA
2	594862	FRONT RH CAPPING		TO CA
2	594863	FRONT LH CAPPING		TO CA
2	RTC5695	FRONT RH CAPPING		FROM CA
2	RTC5696	FRONT LH CAPPING		FROM CA
3	NTC3297	RH MOUNTING BRACKET		
3	NTC3298	LH MOUNTING BRACKET		
4	90575720	MOUNTING BRACKET		TO CA
4	NTC2780	RH MOUNTING BRACKET		FROM CA
4	NTC2781	LH MOUNTING BRACKET		FROM CA
5	NTC5683	WING TO END CAP BRACKET		METAL
5	MUC6394	WING TO END CAP BRACKET		PLASTIC
6	MUC9338	PAD - BUFFER		TO DA 300057

6	RTC4718	PAD - BUFFER		FROM DA 300056
7	90577143	NO. PLATE PLINTH		NO SPOILER
7	NTC1718	NO. PLATE PLINTH		WITH SPOILER
8	NTC3065	REAR BUMPER	BLACK	
8	NTC7042	REAR BUMPER	CHROME	
9	NTC7833	SEAL		
10	NRC5214	DUST STRIP	BLACK	
10	NTC7263	DUST STRIP	CHROME	
11	NRC5456	REAR RH CAPPING		TO CA
11	NRC5457	REAR LH CAPPING		TO CA
11	NTC5232	REAR RH CAPPING		FROM CA
11	NTC5233	REAR LH CAPPING		FROM CA
12	NTC1950	RH MOUNTING BRACKET		FROM CA
12	NTC1949	LH MOUNTING BRACKET		FROM CA



Door Furniture



1	MTC3775	Front Regulator RH	2	Door	to EA 351846	Manual
1	MTC3776	Front Regulator LH	2	Door	to EA 351846	Manual
1	RTC6554	Front Regulator RH	2	Door	from FA 351847	Manual
1	RTC6555	Front Regulator LH	2	Door	from FA 351847	Manual
1	RTC6387	Front Regulator RH	2	Door	from FA 351847	Electric
1	RTC6388	Front Regulator LH	2	Door	from FA 351847	Electric
1	MTC9120	Front Regulator RH	4	Door	to AA 147004	Manual
1	MTC9119	Front Regulator LH	4	Door	to AA 147004	Manual
1	MUC2038	Front Regulator RH	4	Door	from AA 147005	Manual
1	MUC2039	Front Regulator LH	4	Door	from AA 147005	Manual
1	RTC3814	Front Regulator RH	4	Door	from AA 147005	Electric
1	RTC3815	Front Regulator LH	4	Door	from AA 147005	Electric
1	MTC9122	Rear Regulator RH	100"		to AA 147004	Manual
1	MTC9121	Rear Regulator LH	100"		to AA 147004	Manual
1	MTC8906	Rear Regulator RH	100"		AA 147005 - MA 659910	Manual
1	MTC8907	Rear Regulator LH	100"		AA 147005 - MA 659910	Manual
1	RTC3816	Rear Regulator RH	100"		AA 147005 - MA 659910	Electric
1	RTC3817	Rear Regulator LH	100"		AA 147005 - MA 659910	Electric
1	STC944	Rear Regulator RH	108"		JA 610294 - KA 647644	Electric
1	STC945	Rear Regulator LH	108"		JA 610294 - KA 647644	Electric
1	ALR6544	Rear Regulator RH	108"		MA 647645 - MA 659910	Electric
1	ALR6543	Rear Regulator LH	108"		MA 647645 - MA 659910	Electric
1	STC2884	Rear Regulator RH	100"/108"		from MA 659911	Electric
1	STC2883	Rear Regulator LH	100"/108"		from MA 659911	Electric
2	390681	Channel	2	Door	to EA 351846	
2	MUC1218	Channel RH	2	Door	FA 351847 - HA 610293	
2	MUC1219	Channel LH	2	Door	FA 351847 - HA 610293	
2	ALR6540	Channel	2	Door	from JA 610294	
2	MUC9159	Channel	4	Door	to AA147004	
2	MTC9161	Channel	4	Door	AA147004 - CA	
2	MUC2322	Channel	4	Door	CA - MA 659910	
2	ALR8022	Channel	4	Door	from MA 659911	
3	MUC2325	Front Glazing Rubber	2	Door	to EA 351846	
3	ALR6541	Front Glazing Rubber	2	Door	from FA 351847	
3	MUC2325	Front Glazing Rubber	4	Door	to MA 659910	
3	ALR8990	Front Glazing Rubber	4	Door	from MA 659911	
3	ALR6541	Rear Glazing Rubber	4	Door	to MA 659910	
3	ALR8991	Rear Glazing Rubber	4	Door	from MA 659911	
4	392624	Seal - RH	2	Door	to EA 351846	
4	392625	Seal - LH	2	Door	to EA 351846	
4	MXC5355	Seal - RH	2	Door	from FA 351847	
4	MXC5356	Seal - LH	2	Door	from FA 351847	
4	MTC9683	Seal - RH Front	4	Door	to AA 147004	
4	MTC9684	Seal - LH Front	4	Door	to AA 147004	
4	MWC1864	Seal - RH Front	4	Door	BA 147005 - CA	
4	MWC1865	Seal - LH Front	4	Door	BA 147005 - CA	
4	MXC8014	Seal - RH Front	4	Door	from CA	
4	MXC8015	Seal - LH Front	4	Door	from CA	



**B
E
A
R
I
N
G
M
A
C
H**

Door Furniture - key continued

4	MTC9685	Seal - RH	Rear	100"	to CA
4	MTC9686	Seal - LH	Rear	100"	to CA
4	MXC8016	Seal - RH	Rear	100"	from CA
4	MXC8017	Seal - LH	Rear	100"	from CA
4	ALR4464	Seal - RH	Rear	108"	from CA
4	ALR4463	Seal - LH	Rear	108"	from CA
5	MRC9390	Winder		2 Door	to EA 351846
5	RTC3939PA	Winder	Black	2 Door	FA 351847 - HA 610293
5	MTC9118	Winder		4 Door	to AA 147004
5	RTC3939CC	Winder	Brown	4 Door	BA 147005 - HA 610293
5	RTC3939LG	Winder	Grey	4 Door	BA 147005 - HA 610293
6	JPC9023PMA	Escutcheon		2 Door	FA 351847 - HA 610293
6	RTC3935CC	Escutcheon	Brown	4 Door	BA 147005 - HA 610293
6	RTC3935LG	Escutcheon	Grey	4 Door	BA 147005 - HA 610293
7	WF702101L	Washer		2 Door	to EA 351846
7	WE105001L	Washer		2 Door	FA 351847 - HA 610293
7	WF105001L	Washer		4 Door	to AA 147004
7	WE105001L	Washer		4 Door	BA 147005 - HA 610293
8	SE910164	Screw		2 Door	to EA 351846
8	SE105161L	Screw		2 Door	FA 351847 - HA 610293
8	SE810281L	Screw		4 Door	to AA 147004
8	SF106121L	Screw		4 Door	BA 147005 - HA 610293
9	YXX3200PMA	Cap	Black	2 Door	FA 351847 - HA 610293
9	RTC3940CC	Cap	Brown	4 Door	BA 147005 - HA 610293
9	RTC3940LG	Cap	Grey	4 Door	BA 147005 - HA 610293
10	RTC3820	Motor RH	Front		to FA 399972
10	RTC3821	Motor LH	Front		to FA 399972
10	RTC6641	Motor RH	Front		GA 399973 - KA 647644
10	RTC6640	Motor LH	Front		GA 399973 - KA 647644
10	RTC6641	Motor RH	Front	2 Door	from MA 647645
10	RTC6640	Motor LH	Front	2 Door	from MA 647645
10	CUR100440	Motor RH	Front	4 Door	from MA 647645
10	CUR100450	Motor LH	Front	4 Door	from MA 647645
10	RTC3818	Motor RH	Rear		to FA 399972
10	RTC3819	Motor LH	Rear		to FA 399972
10	RTC6643	Motor RH	Rear		GA 399973 - KA 647644
10	RTC6642	Motor LH	Rear		GA 399973 - KA 647644
10	STC1627	Motor RH	Rear		from MA 647645
10	STC1626	Motor LH	Rear		from MA 647645
11	MRC6502	RH Door Glass	Clear	2 Door	to CA
11	MRC6503	LH Door Glass	Clear	2 Door	to CA
11	MTC5942	RH Door Glass	Sundym	2 Door	to EA 351846
11	MTC5943	LH Door Glass	Sundym	2 Door	to EA 351846
11	MWC8430	RH Door Glass	Front	2 Door	from FA 351847
11	MWC8431	LH Door Glass	Front	2 Door	from FA 351847
11	MTC5952	RH Door Glass	Front	4 Door	to AA 147004

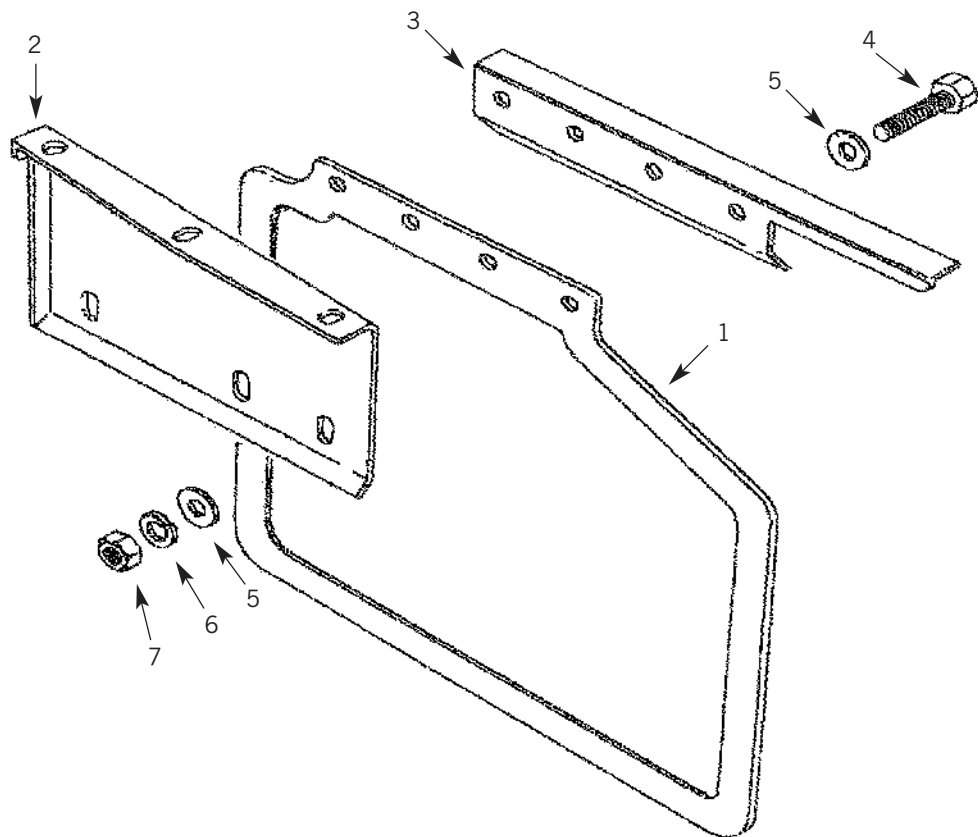
11	MTC5951	LH Door Glass	Front	4 Door	to AA 147004
11	MTC9792	RH Door Glass	Front	4 Door	BA 147005 - EA 351846
11	MTC9793	LH Door Glass	Front	4 Door	BA 147005 - EA 351846
11	MWC8436	RH Door Glass	Front	4 Door	from FA 351847
11	MWC8437	LH Door Glass	Front	4 Door	from FA 351847
11	MTC5954	RH Door Glass	Rear	100"	to EA 351846
11	MTC5953	LH Door Glass	Rear	100"	to EA 351846
11	MWC8438	RH Door Glass	Rear	100"	from FA 351847
11	MWC8439	LH Door Glass	Rear	100"	from FA 351847
11	ALR4454	RH Door Glass	Rear	108"	from JA 610294
11	ALR4453	LH Door Glass	Rear	108"	from JA 610294
12	390721	Channel - Side	Front	2 Door	to EA 351846
12	390722	Channel - Top	Front	2 Door	to EA 351846
12	MXC1949	Channel	Front	2 Door	from FA 351847
12	390721	Channel - Side	Front	4 Door	to AA 147004
12	MTC9181	Channel - Top	Front	4 Door	to AA 147004
12	MUC1744	Channel 5mm	Front	4 Door	AA 147004 - FA 374641
12	MWC9602	Channel 4mm	Front	4 Door	from CA
12	MUC9167	Channel - Side	Rear	4 Door	to AA 147004
12	MUC2369	Channel - Top	Rear	4 Door	to AA 147004
12	MUC2369	Channel	Rear	4 Door	AA 147004 - CA
12	MTC9177	Channel - Side	Rear	4 Door	from CA
12	MWC9603	Channel - Top	Rear	100"	from CA
12	ALR1512	Channel - Top	Rear	108"	from CA
13	390415	Hinge	Front	2 Door	
13	390415	Hinge	Front	4 Door	to FA 374641
13	MXC2164	Hinge RH Upper	Front	4 Door	from FA 374642
13	MXC2165	Hinge LH Upper	Front	4 Door	from FA 374642
13	MXC5770	Hinge RH Lower	Front	4 Door	from FA 374642
13	MXC5771	Hinge LH Lower	Front	4 Door	from FA 374642
13	MTC6962	Hinge RH	Rear	4 Door	to FA 374641
13	MTC6963	Hinge LH	Rear	4 Door	to FA 374641
13	MXC2162	Hinge RH Upper	Rear	4 Door	from FA 374642
13	MXC2163	Hinge LH Upper	Rear	4 Door	from FA 374642
13	MXC5768	Hinge RH Lower	Rear	4 Door	from FA 374642
13	MXC5769	Hinge LH Lower	Rear	4 Door	from FA 374642
14	MXC2166	Hinge RH	Front	4 Door	from FA 374642
14	MXC2167	Hinge LH	Front	4 Door	from FA 374642
16	ALR4786	Check Arm	Front	2 Door	
16	ALR4786	Check Arm	Front	4 Door	to AA 147004
16	MTC7772	Check Arm	Front	4 Door	BA 147005 - FA 374641
16	ALR4726	Check Arm RH	Front	4 Door	from FA 374642
16	ALR4727	Check Arm LH	Front	4 Door	from FA 374642
16	MTC9701	Check Arm	Rear	100"	to FA 374641
16	ALR4725	Check Arm	Rear	100"	from FA 374642
16	ALR1767	Check Arm	Rear	108"	to KA 635927
16	ALR4787	Check Arm	Rear	108"	from KA 635928

Website - www.bearingmach.com

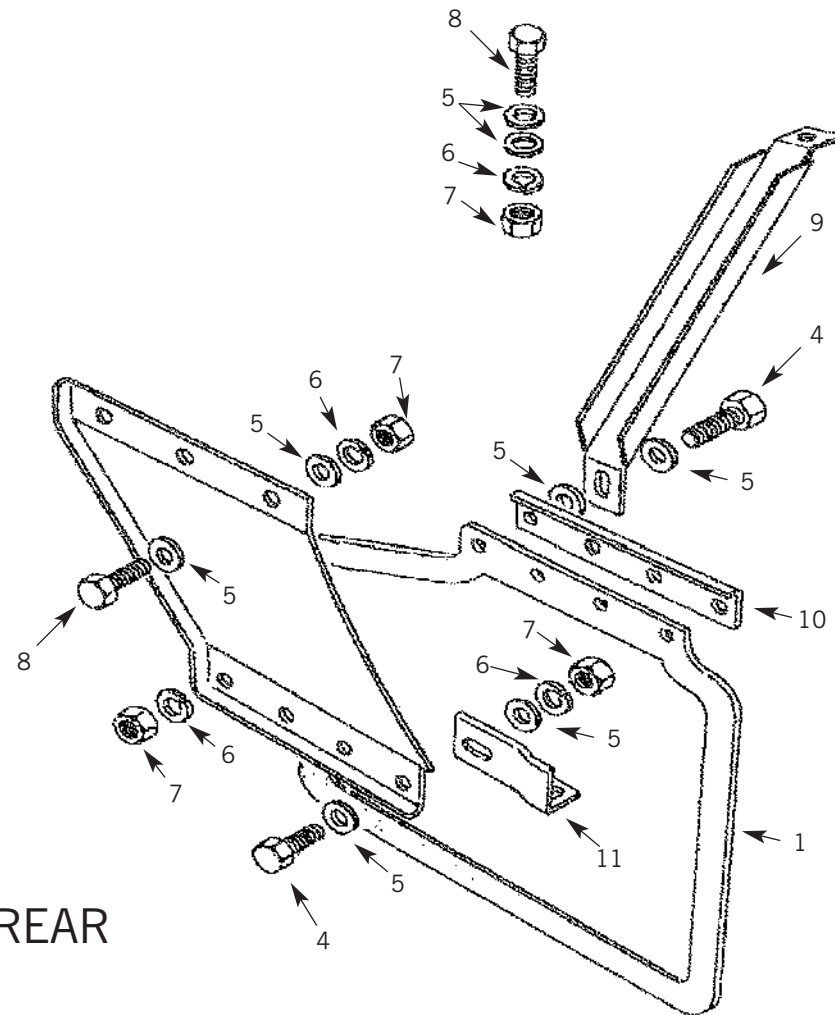
PARTS SUITABLE FOR
RANGE ROVER - Classic



Mudflaps



FRONT



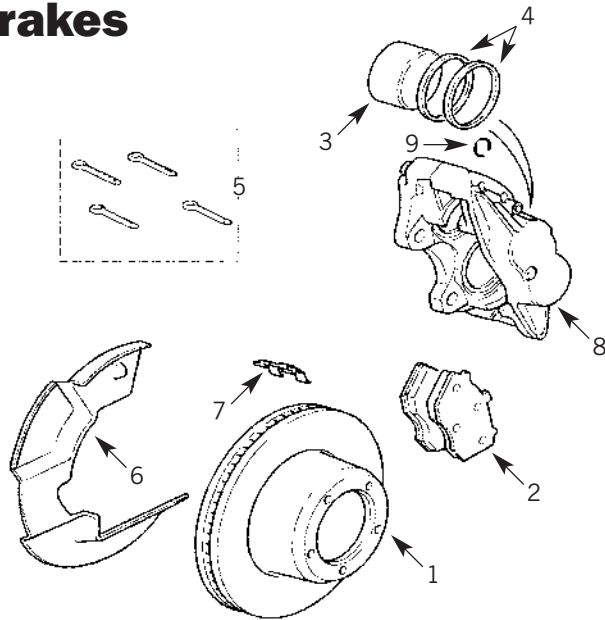
REAR

1	MXC5587	MUDFLAP
2	392678	BRACKET RH
2	392679	BRACKET LH
3	MXC6743	ANGLE
4	SH604071L	BOLT
5	3831L	WASHER
6	WM600041L	SPRING WASHER
7	NH106041L	NUT

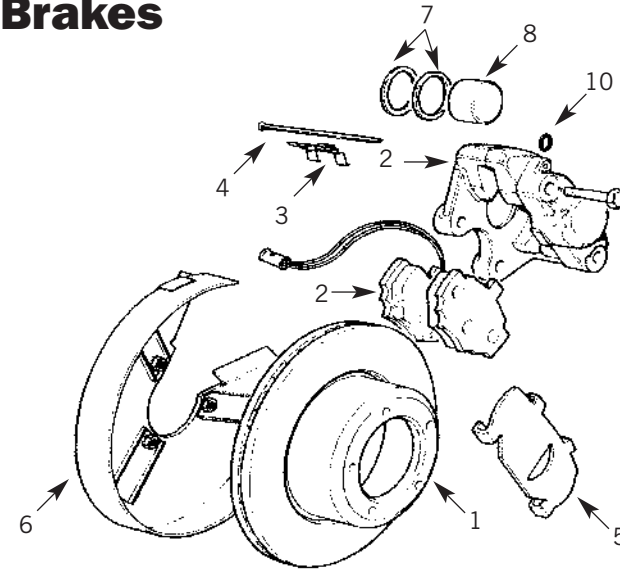
8	255206	BOLT	
9	390999	STAY RH	TO GA 441003
9	390997	STAY LH	TO GA 441003
9	BTR6172	STAY RH	GA 441004 ON
9	MXC5547	STAY LH	GA 441004 ON
10	390998	ANGLE	
11	MXC5546	BRACKET RH	
11	MXC5545	BRACKET LH	



Front Brakes



Rear Brakes



1	571762	DISC BRAKE, NON VENTED	TO CA
1	FRC7329	DISC BRAKE, NON VENTED	CA - FA 399972
1	FTC902	DISC BRAKE, VENTED	FROM GA 399973
2	RTC3163	SET PADS	TO CA
2	STC9187	SET PADS	CA - FA 399972
2	STC9190	SET PADS	FROM GA 399973
3	606683	PISTON	
4	AEU1547	SEAL KIT	
5	STC8573	RETENTION KIT (INC 7)	TO CA
5	STC8575	RETENTION KIT	FROM CA
6	FTC4838	DISC SHIELD	RH
6	FTC4839	DISC SHIELD	LH
7	606688	SPRING	TO FA 399972
8	606681	CALIPER RH	TO AXLE SUFFIX E
8	606682	CALIPER LH	TO AXLE SUFFIX E
8	AEU1718	CALIPER RH	AXLE SUFFIX F TO FA 399972
8	AEU1719	CALIPER LH	AXLE SUFFIX F TO FA 399972
8	RTC6776	CALIPER RH	GA 399973 TO *
8	RTC6777	CALIPER LH	GA 399973 TO *
8	STC1283	CALIPER RH	FROM **
8	STC1282	CALIPER LH	FROM **

* 46L 11839C, 47L 11587C, 48L 05146C, 49L 11363C, 50L 00996C

* 51L 07997C, 54L 00056B, 55L 00497B, 56L 03429B, 57L 05188B

** 46L 11840C, 47L 11588C, 48L 05147C, 49L 11364C, 50L 00997C

** 51L 07998C, 54L 00057B, 55L 00498B, 56L 03430B, 57L 05189B

1	571912	DISC BRAKE	SOLID	TO CA
1	FTC1381	DISC BRAKE	SOLID	FROM CA
2	RTC3164	SET PADS		TO CA
2	STC9189	SET PADS		FROM CA
3	6066699	SPRING		
4	STC8574	SPRING KIT	INC 3	TO HA 610293
5	591628	SHIM	INNER RH	OUTER LH
5	591629	SHIM	INNER LH	OUTER RH
6	FTC2600	SHIELD	RH	TO KA 637567
6	FTC2601	SHIELD	LH	TO KA 637567
6	SMD100260	SHIELD	RH	FROM KA 637568
6	SMD100270	SHIELD	LH	FROM KA 637568
7	8G8587L	SEAL KIT		TO CA
7	AEU1547L	SEAL KIT		FROM CA
8	606696	PISTON		
8	STC1279	PISTON KIT	ABS	FROM JA 610294
9	606694	CALIPER RH		TO AXLE SUFFIX C
9	606695	CALIPER LH		TO AXLE SUFFIX C
9	AEU1716	CALIPER RH		AXLE SUFFIC C TO CA VIN NO.
9	AEU1717	CALIPER LH		AXLE SUFFIC C TO CA VIN NO.
9	RTC5889	CALIPER RH		CA - *
9	RTC5890	CALIPER LH		CA - *
9	STC1264	CALIPER RH		FROM **
9	STC1265	CALIPER LH		FROM **
10	RTC1137	SEAL		TO CA

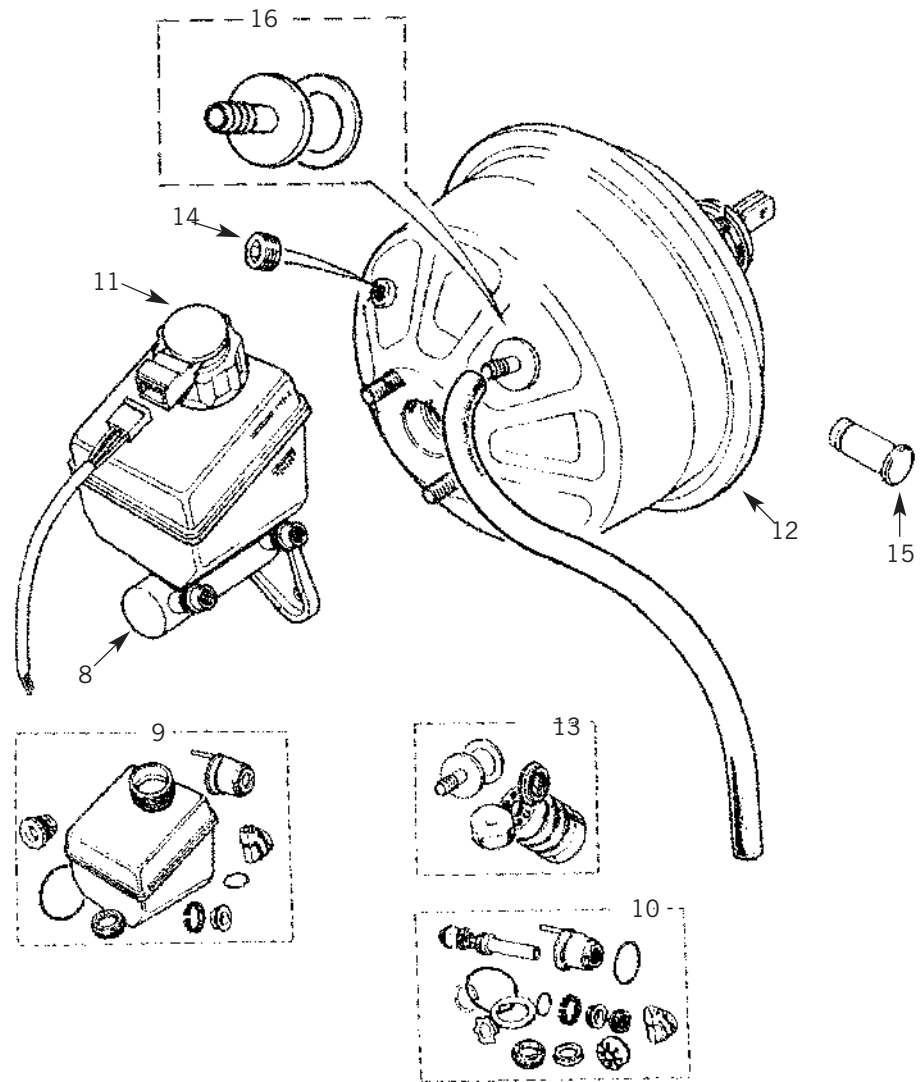
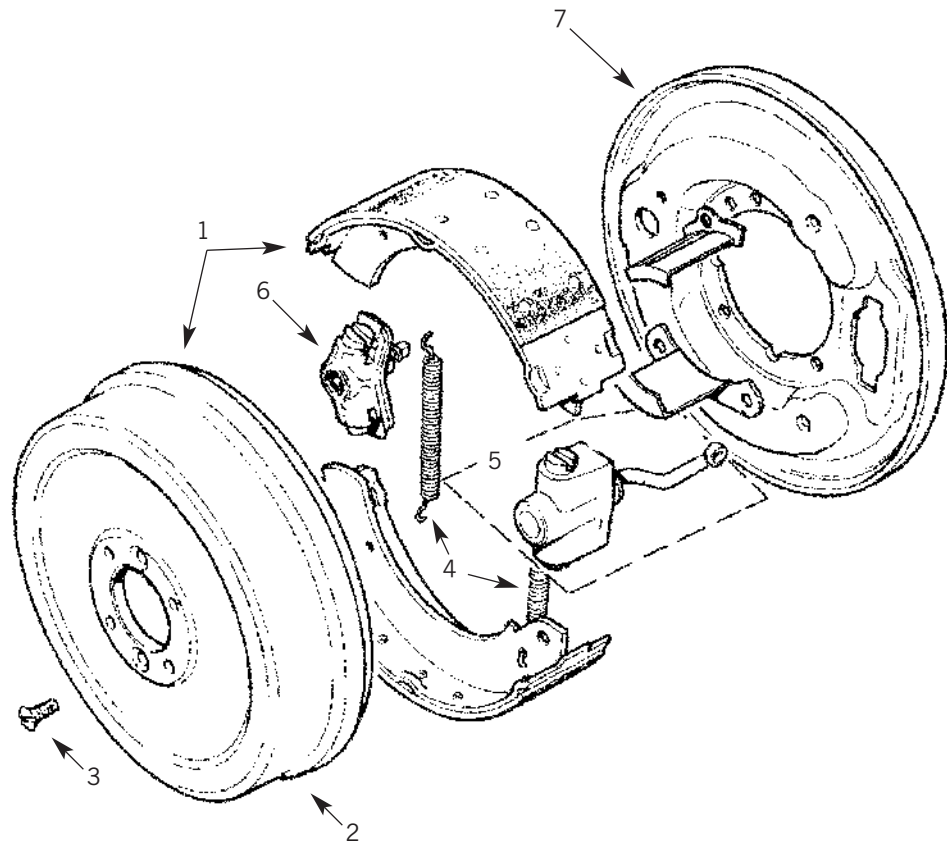
* 34S 16421C, 35S 18188C, 36S 00594B, 37S 08650B

** 34S 16422C, 35S 18189C, 36S 00594B1 37S 08650B



B
E
A
R
M
A
C
H

Braking System see key to diagram on next page



QUICK REFERENCE

PAGE
16

PARTS SUITABLE FOR
RANGE ROVER - Classic

Tel: +44 (0)29 20 856 550

Manufacturers' part numbers are used for reference purposes only



Braking System key to diagram on previous page

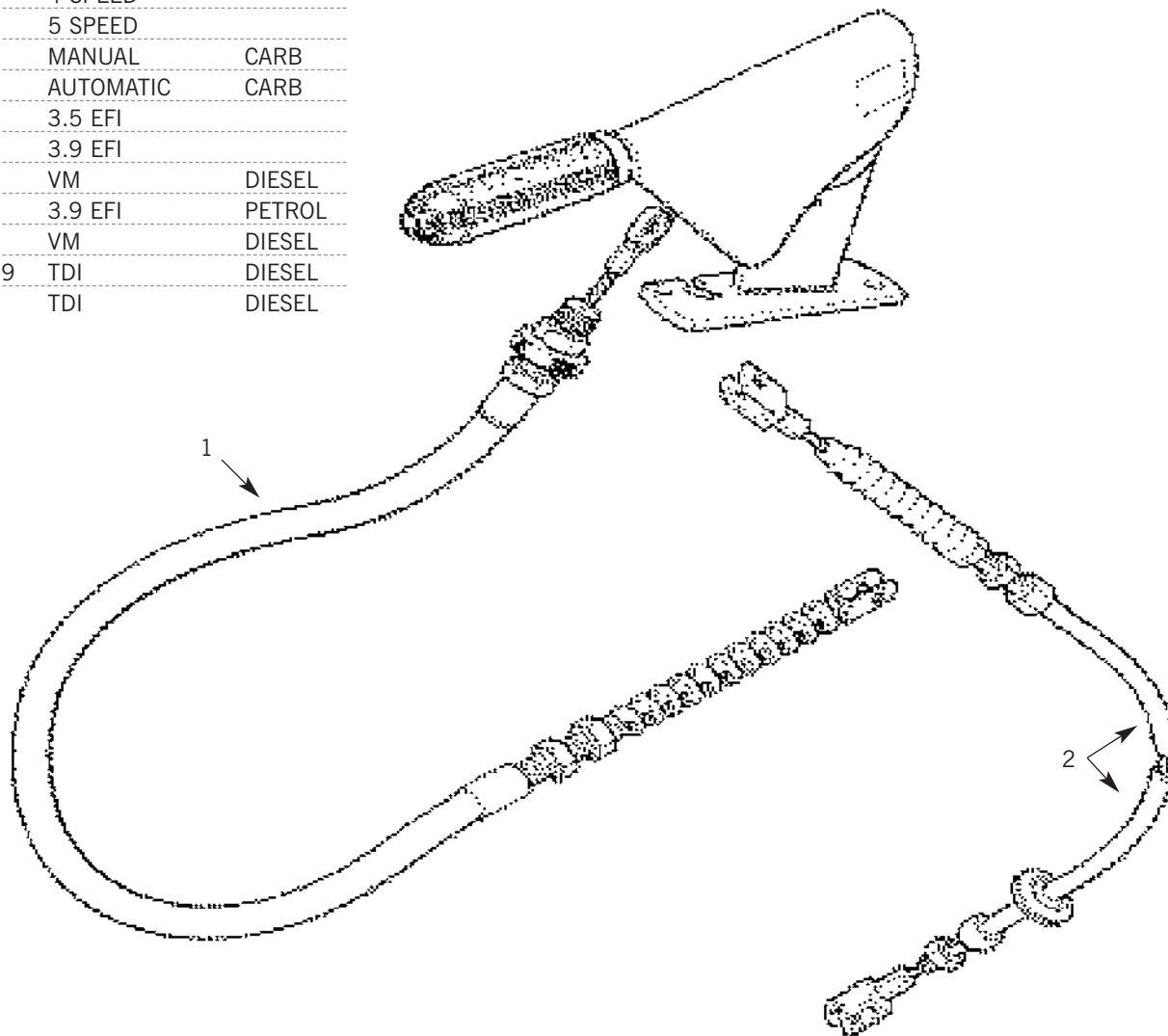
1	RTC3405	BRAKE SHOES	MANUAL 4 spd	TO 86	
1	STC965	BRAKE SHOES	5 spd & AUTO	TO 86	
1	STC965	BRAKE SHOES	ROD OPERATED	86 - LA 647644	
1	ICW100030	BRAKE SHOES	CABLE OPERATED	FROM MA 647645	
2	90576624	BRAKE DRUM	MANUAL 4 spd	TO 86	
2	FRC3502	BRAKE DRUM	5 spd & AUTO	TO 86	
2	FRC3502	BRAKE DRUM	ALL	86 ON	
3	886021	SCREW	MANUAL 4 spd	TO 86	
3	SA108201L	SCREW	5 spd & AUTO	TO 86	
3	SA108201L	SCREW	ALL	86 ON	
4	606749/750	SPRING	MANUAL 4 spd	TO 86	
4	FRC8549	SPRING	5 spd & AUTO	TO 86	
4	FRC8549	SPRING	ROD OPERATED	86 - FA 394481	BORG WARNER
4	STC246	SPRING	ROD OPERATED	FA 394482 - LA 647644	BORG WARNER
4	FRC8549	SPRING	5sp LT77 Gearbox	86 - HA 610293	LT230
4	ICW100050	RETENTION KIT	CABLE OPERATED	FROM MA 647645	
5	AEU2734	EXPANDER	ROD OPERATED		
6	STC244	ADJUSTER	ROD OPERATED		
7	AEU2733	BACK PLATE	ROD OPERATED		
7	STC1534	BACK PLATE	CABLE OPERATED		
8	RTC3657	MASTER CYLINDER	VERTICALLY BOLTED TO SERVO (A)	TO AA 112528	
8	RTC3658	MASTER CYLINDER	HORIZONTALLY BOLTED TO SERVO (B)	AA 112529 - DA 301157	
8	NTC4991	MASTER CYLINDER		DA 301158 - LA 647644	
8	STC1763	MASTER CYLINDER		FROM MA 647645	
9	RTC5833	MASTER CYLINDER REPAIR KIT		FROM DA 301158	
10	AEU1940	MASTER CYLINDER REPAIR KIT	FOR (A)	TO AA 112528	
10	AEU1894	MASTER CYLINDER REPAIR KIT	FOR (B)	AA 112529 - DA 301157	
10	RTC5834	MASTER CYLINDER REPAIR KIT		FROM DA 301158	
11	600496	CAP	FOR (A)	TO AA 112528	
11	513123	CAP	FOR (B)	TO DA 301157	
11	RTC5831	CAP		DA 301158 - LA 647644	
11	NTC9858	CAP		FROM MA 647645	
12	607394	SERVO	(A)	TO AA 112528	
12	AEU1715	SERVO	(B)	AA 112529 - DA 301157	
12	STC1286	SERVO		FROM DA 301158	
13	AEU1021	SERVO REPAIR KIT		TO DA 301157	
13	RTC5832	SERVO REPAIR KIT		FROM DA 301158	
14	90577611	PLUG		TO LA 647644	
14	MXC8709	PLUG		FROM MA 647645	
15	NTC4487	CLEVIS PIN		FROM DA 301158	
16	606031	VALVE		TO AA 112528	
16	RTC5636	VALVE		AA 112529 - DA 301157	
16	STC780	VALVE		FROM DA 301158	



**B
E
A
R
M
A
C
H**

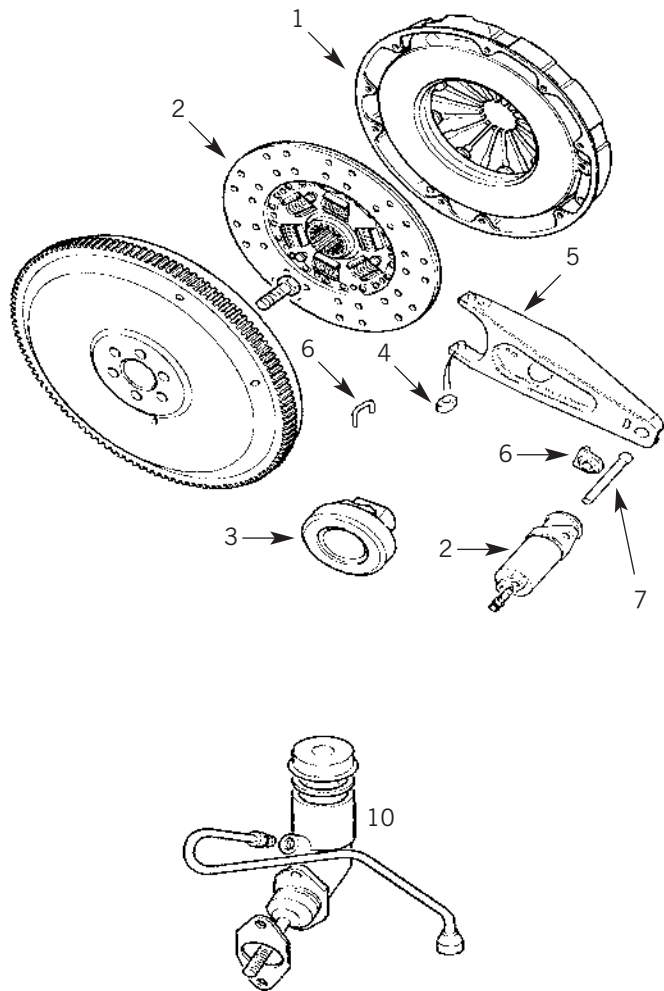
Vehicle Control Cables

1	NRC8096	HANDBRAKE CABLE	TO CA	AUTOMATIC	
1	NRC5088	HANDBRAKE CABLE	CA - CA 265468		
1	NTC9400	HANDBRAKE CABLE	CA 265469 - EA 351032		
1	NTC6125	HANDBRAKE CABLE	FA 351033 - LA 647644		
1	STC1528	HANDBRAKE CABLE	FROM MA 647645		
2	566426	ACCELERATOR CABLE	TO CA	4 SPEED	
2	NRC8388	ACCELERATOR CABLE	TO CA	5 SPEED	
2	NRC8388	ACCELERATOR CABLE	CA - FA 399972	MANUAL	CARB
2	NTC3083	ACCELERATOR CABLE	CA - FA 399972	AUTOMATIC	CARB
2	NTC1054	ACCELERATOR CABLE	CA - FA 399972	3.5 EFI	
2	NTC6723	ACCELERATOR CABLE	CA - FA 399972	3.9 EFI	
2	NTC1461	ACCELERATOR CABLE	CA - FA 399972	VM	DIESEL
2	SBB104300	ACCELERATOR CABLE	FROM GA 399973	3.9 EFI	PETROL
2	NTC7830	ACCELERATOR CABLE	FROM GA 399973	VM	DIESEL
2	ANR1860	ACCELERATOR CABLE	JA 610294 - KA 628559	TDI	DIESEL
2	ANR3592	ACCELERATOR CABLE	FROM KA 628560	TDI	DIESEL





Clutch



0	STC8358	ALL DIESEL	CLUTCH KIT	
0	STC4828	3.9 V8	CLUTCH KIT	FROM (E)35D 05052A, (E)36D 12371A, (E)38D 19948A
1	576476	3.5 V8	CLUTCH COVER	
1	FTC813	3.9 V8	CLUTCH COVER	TO (E)35D 05051A, (E)36D 12370A, (E)38D 19947A
1	URB100760	ALL DIESEL	CLUTCH COVER	
2	FRC6631	3.5 V8	CLUTCH PLATE	4 SPEED
2	FRC6685	3.5 V8	CLUTCH PLATE	5 SPEED
2	FTC814	3.9 V8	CLUTCH PLATE	TO (E)35D 05051A, (E)36D 12370A, (E)38D 19947A
2	FTC4204	ALL DIESEL	CLUTCH PLATE	
3	FTC5200	ALL	RELEASE BEARING	
4	FRC5255	TDI	SLIPPER PAD	
5	576137	V8	RELEASE FORK	
5	576137	VM DIESEL	RELEASE FORK	
5	FTC2957	TDI	RELEASE FORK	
6	576723	V8 / VM	CLIP	
6	FRC3327	TDI	CLIP	
7	571160	V8 / VM	CLIP	LT 77 GEARBOX
7	FTC3913	V8	ROD	R380 GEARBOX
7	FTC3912	TDI	ROD	R380 GEARBOX
8	576203	ALL	STAPLE	LT 77 GEARBOX
8	FRC3416	TDI	STAPLE	R380 GEARBOX
8	576203	V8	STAPLE	R380 GEARBOX
9	TKC2786L	ALL	SLAVE CYLINDER	TO HA 610293
9	TKC2786L	LT77	SLAVE CYLINDER	*
9	FTC2498	LT77	SLAVE CYLINDER	**
9	FTC5072	R380	SLAVE CYLINDER	
10	AEU1714	ALL	CLUTCH MASTER CYLINDER	TO LA 647644
10	ANR2186	PETROL	CLUTCH MASTER CYLINDER	FROM MA 647645
10	ANR2651	DIESEL	CLUTCH MASTER CYLINDER	FROM MA 647645

*TO (G) 55A 0204814A, (E) 14L 01313L, (E) 35D 07802A

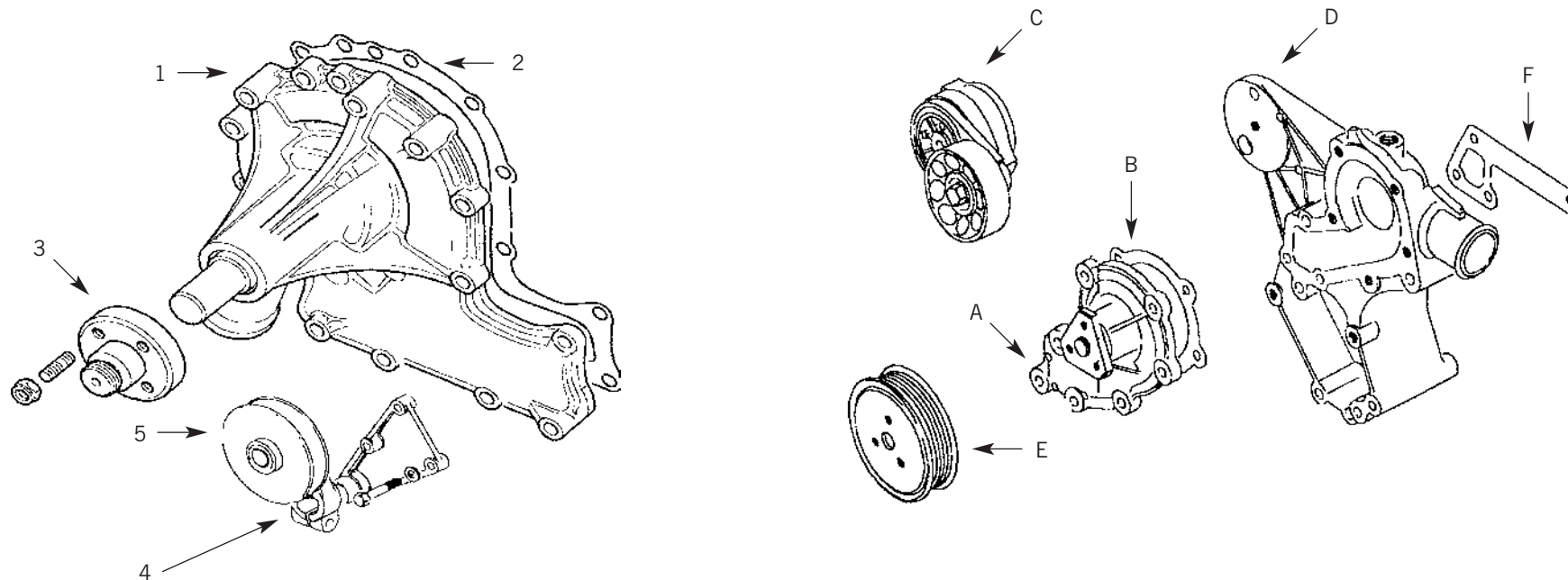
**FROM (G) 55A 0204815A, (E) 14L 01314L, (E) 35D 07803A

(G) - GEARBOX NUMBER

(E) - ENGINE NUMBER



Water Pump



PETROL

1	RTC3661	V8 CARB	WATER PUMP	non-viscous		
1	613273	V8 CARB	WATER PUMP	screw on viscous	ENG NO: 341, 355, 359 suffix B,C	A
1	RTC6335	V8 CARB	WATER PUMP	bolt on viscous	ENG NO: 341, 355, 359 suffix B,C	B
1	RTC3660	V8 CARB	WATER PUMP		ENG NO: 341, 355, 395 suffix F on	C
1	RTC6336	V8 CARB	WATER PUMP	air conditioning	1970-1982	
1	ETC5641	V8 CARB	WATER PUMP	air conditioning	1982-1985	
1	STC483	V8 CARB	WATER PUMP		FROM CA CHASSIS NO.	
1	STC483	V8 EFI	WATER PUMP	ALL	TO HA 610293	
1	STC483	V8 EFI	WATER PUMP		FROM JA 610294	
1	STC4378	V8 EFI	WATER PUMP	*	FROM JA 610294	
2	ERR2428	V8 CARB	GASKET			
2	ERR2428	V8 EFI	GASKET			
2	ERR4077	V8 EFI	GASKET	*		
3	613272	V8 CARB	VISCOUS HUB	screw on viscous	ENG NO: 341, 355, 359 suffix B,C	A
3	614872	V8 CARB	VISCOUS HUB	bolt on viscous	ENG NO: 341, 355, 359 suffix B,C	B
3	614908	V8 CARB	SPINDLE		ENG NO: 341, 355, 395 suffix F on	C
4	ETC6148	V8 EFI	BRACKET PULLEY SUPPORT BELT TENSIONER			
5	614718	V8 EFI	TENSIONER PULLEY ANCILLIARY DRIVE		to JA624755	
5	ERR3767	V8 EFI	TENSIONER PULLEY ANCILLIARY DRIVE		from KA624756	

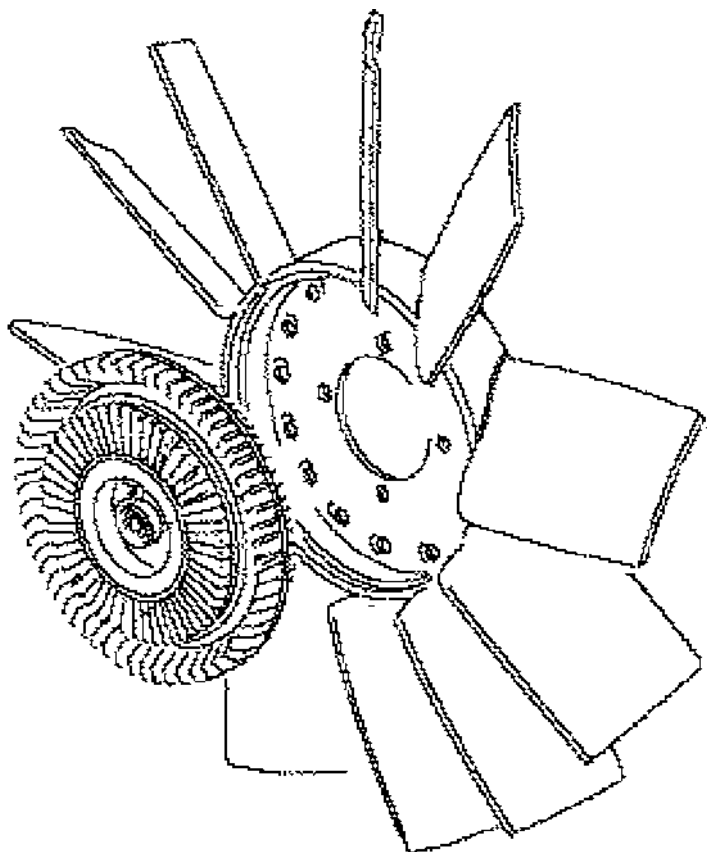
* 35D08928B / 36D25155B / 37D02090B / 38D27238B / 40D09582B on

DIESEL

A	RTC6395	200TDI	WATER PUMP
A	STC1086	300TDI	WATER PUMP
A	RTC4925	2.4 VM	WATER PUMP
A	RTC6666	2.5 VM	WATER PUMP
B	ERR388	200TDI	GASKET
B	ERR3284	300TDI	GASKET
B	AEU2183L	2.4 VM	GASKET
B	STC805	2.5 VM	GASKET
D	ERR3736	300TDI	BRACKET
C	ERR4708	300TDI	TENSIONER
E	ERR3734	300TDI	PULLEY
E	RTC4926	2.4 VM	PULLEY
E	RTC6671	2.5 VM	PULLEY
F	PET100790	300TDI	GASKET



Viscous Units



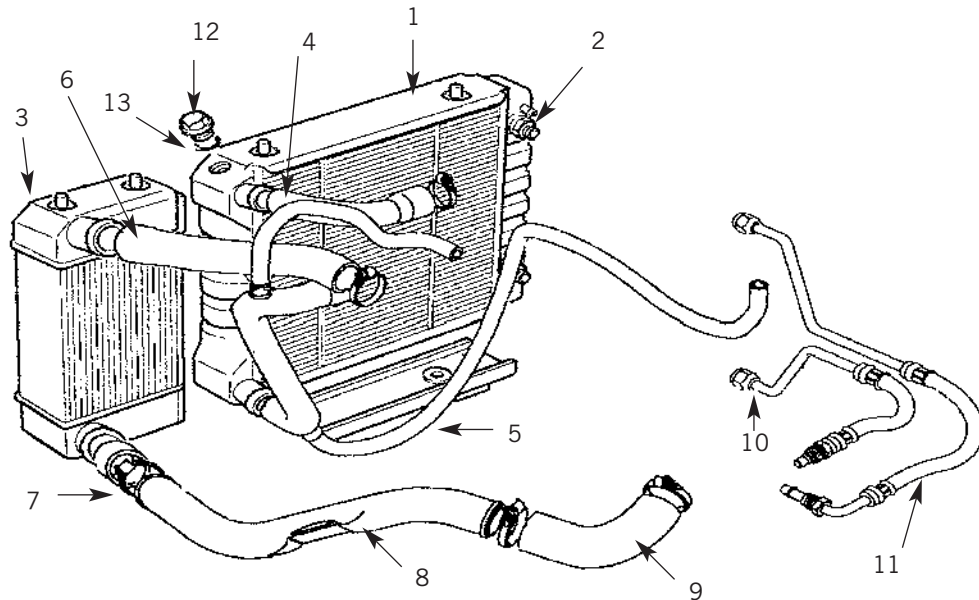
VISCOUS UNITS

ERC2849	V8 CARB	TO 26D, 28D & 30D	
ETC1260	V8 CARB	27D & 29D	
ERC2849	V8 EFI	7 BLADE FAN	
ETC1260	V8 EFI	11 BLADE FAN	M24 x 1.5
ERR3443	V8 EFI	FROM JA 610294	M30 x 1.5
ETC1260	VM	DIESEL	
ETC7238	200TDI	DIESEL	
ERR2266	300TDI	DIESEL	



Cooling System

BEARMACH



1	575971	Radiator	3.5 V8	TO CA	No A/Con
1	NRC4448	Radiator	3.5 V8	TO CA	A/CON
1	ESR80	Radiator	3.5 V8	CA -HA 610293	
1	ESR75	Radiator	3.9 V8	CA -LA 647644	Manual
1	ESR3688	Radiator	3.9 V8	FROM MA 647645	Manual
1	ESR74	Radiator	3.9 V8	CA -JA 624754	Auto
1	ESR3687	Radiator	3.9 V8	FROM KA 624755	Auto
1	BTP1742	Radiator & Oil Cooler	2.4 VM		
1	BTP1831	Radiator	2.5 VM		
1	BTP1823S	Radiator & Oil Cooler	200TDI		
1	BTP2275	Radiator & Oil Cooler	300TDI		
1	ESR3689	Radiator / Oil Cooler & Intercooler	300TDI		

2	KTP9687	Engine Oil Cooler	2.5 VM		
3	FTP8020	Intercooler	VM		
3	FTP8015	Intercooler	200TDI		
3	FTP8030	Intercooler	300TDI		
4	575718	Top Hose	3.5 V8	TO CA	No A/Con
4	624301	Top Hose	3.5 V8	TO CA	A/Con
4	PCH000040	Top Hose	V8	CA - MA 652456	
4	PCH000050	Top Hose	V8	FROM MA 652457	
4	NTC4619	Top Hose	2.4 VM		
4	NTC6734	Top Hose	2.5 VM		
4	NTC4329	Top Hose	200TDI		
4	ESR2491	Top Hose	300TDI		
5	598871	Bottom Hose	V8	TO CA	
5	NTC5632	Bottom Hose	V8	CA - FA 399972	
5	NTC7297	Bottom Hose	V8	FROM GA 399973	
5	NTC4622	Bottom Hose	2.4 VM		
5	ESR185	Bottom Hose	2.5 VM		
5	NTC7223	Bottom Hose	200TDI		
5	ESR3296	Bottom Hose	300TDI		
6	NTC2316	Intercooler Top Hose	VM		
6	ESR2263	Intercooler Top Hose	200TDI		
6	ESR3025	Intercooler Top Hose	300TDI		
7	ESR2943	Intercooler Bottom Hose	2.5 VM		
7	ESR2943	Intercooler Bottom Hose	200TDI		
7	ESR2913	Intercooler Bottom Hose	300TDI	No Air Suspension	
7	ESR2457	Intercooler Bottom Hose	300TDI	Air Suspension	
8	NTC5173	Intercooler Bottom Hose	2.5 VM		
8	NTC5655	Intercooler Bottom Hose	200TDI		
8	ESR2910	Intercooler Bottom Hose	300TDI	No Air Suspension	
8	ESR2493	Intercooler Bottom Hose	300TDI	Air Suspension	
9	NTC5174	Intercooler Bottom Hose	2.5 VM		
9	ESR2932	Intercooler Bottom Hose	200TDI		
9	ESR2912	Intercooler Bottom Hose	300TDI	No Air Suspension	
9	ESR2896	Intercooler Bottom Hose	300TDI	Air Suspension	
10	PBP101160	Oil Cooler Bottom Pipe	V8 EFI		
10	PBP101140	Oil Cooler Bottom Pipe	TDI		
11	PBP101150	Oil Cooler Top Pipe	V8 EFI		
11	PBP101130	Oil Cooler Top Pipe	TDI		
12	ERR4686	Filler Plug			
13	ERR4685	O-Ring			

QUICK REFERENCE

PAGE 22

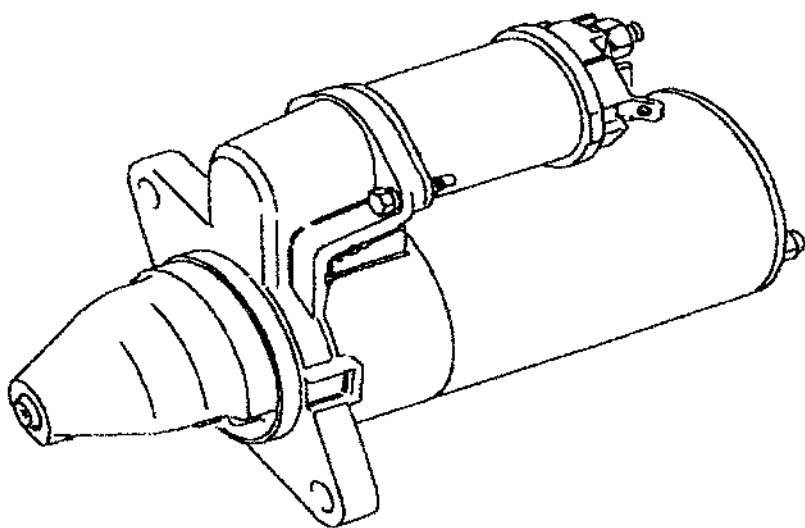
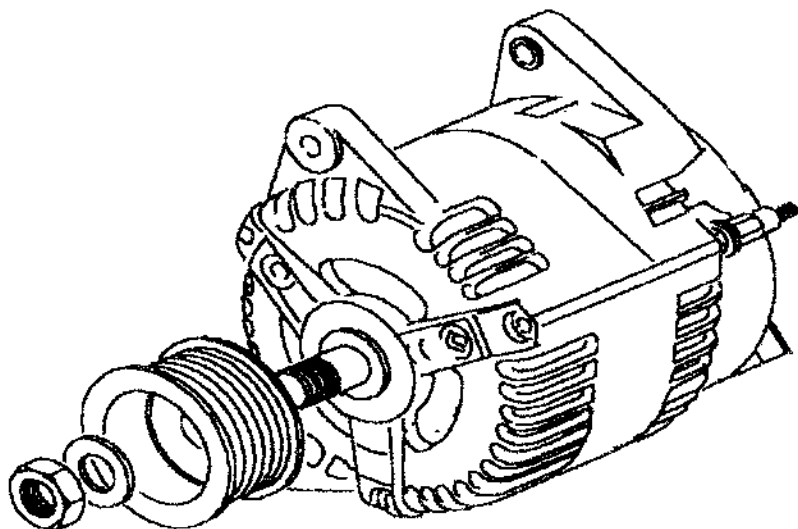
PARTS SUITABLE FOR RANGE ROVER - Classic

Tel: +44 (0)29 20 856 550

Manufacturers' part numbers are used for reference purposes only



Rotating Electrics



V8 CARB

RTC5085E	ALTERNATOR	16/17 ACR	30/35 AMP		TO BA 999999
RTC5086E	ALTERNATOR	18 ACR			TO BA 999999
RTC5087E	ALTERNATOR	20/25 ACR	60 AMP	NO A/CON	TO BA 999999
RTC5218E	ALTERNATOR	20/25 ACR	60 AMP	A/CON	TO BA 999999
RTC5845	ALTERNATOR	A SERIES		NO A/CON	TO BA 999999
RTC5250E	ALTERNATOR	A SERIES		A/CON	TO BA 999999
STC234	ALTERNATOR	A 127	65 AMP		FROM CA 000001
RTC6061E	STARTER MOTOR				

V8 EFI

STC234	ALTERNATOR	A127	65 AMP		CA 000001 - JA 624755
STC1753	ALTERNATOR	A133	80 AMP		CA 000001 - JA 624755
YLE10099	ALTERNATOR	A127i	85 AMP		FROM KA 624756
YLE10100	ALTERNATOR	A127i	100 AMP		KA 624757 - MA 647644
AMR3107	ALTERNATOR	A127i	100 AMP		FROM MA 647645
RTC6061E	STARTER MOTOR		LUCAS		
NAD101490	STARTER MOTOR		BOSCH		FROM JA 610293

2.4 VM DIESEL

STC234	ALTERNATOR	A127	65 AMP		
RTC5250E	ALTERNATOR	A133	65 AMP		
PRC5669	STARTER MOTOR				

2.5 VM DIESEL

STC233	ALTERNATOR	A127	65 AMP		
STC3092	ALTERNATOR	A133	80 AMP		
PRC5669	STARTER MOTOR				

200 TDI

RTC5681E	ALTERNATOR	A127	65 AMP		
ERR5009	STARTER MOTOR				

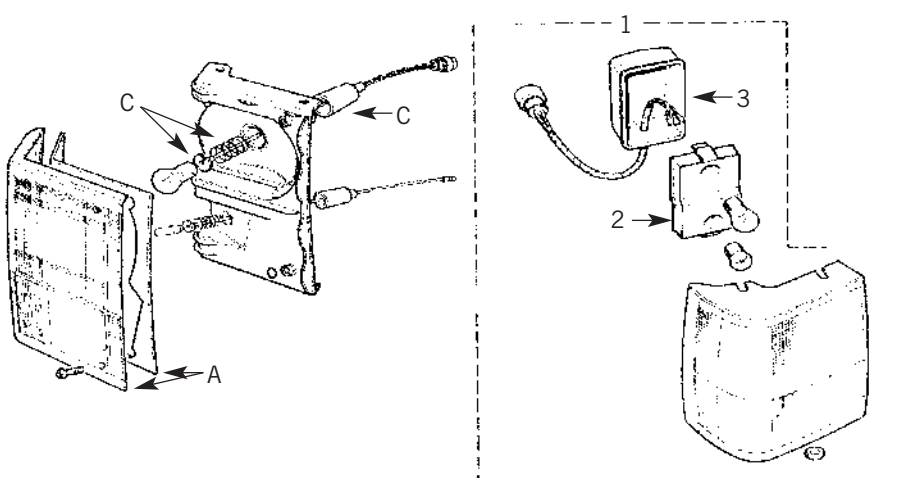
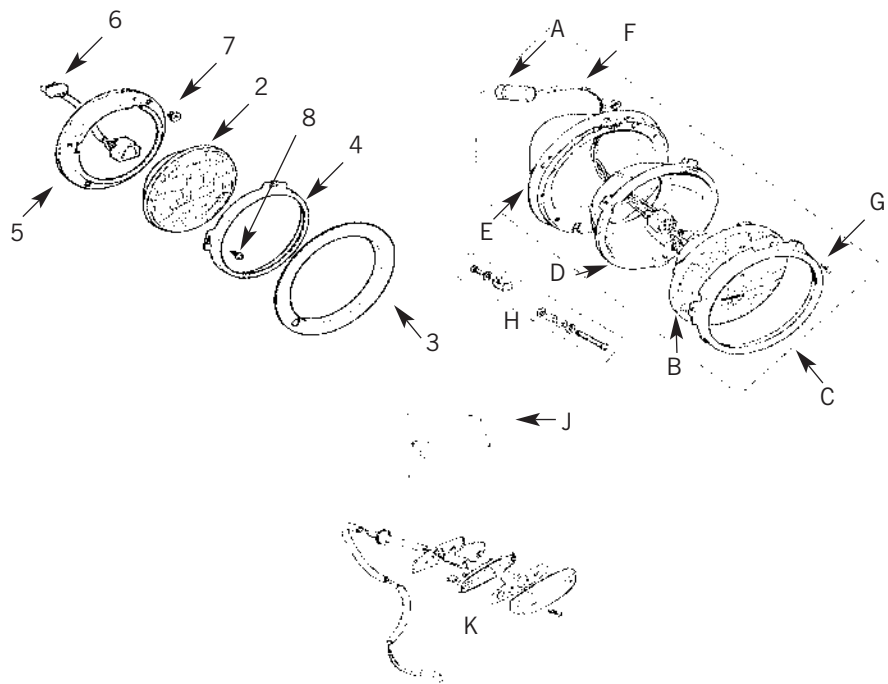
300 TDI

YLE10113	ALTERNATOR	A127i	100 AMP		
ERR5009	STARTER MOTOR				



B
E
A
R
M
A
C
H

Lighting



TO CA 273922

2	RTC3682	LIGHT UNIT	SEALED BEAM
2	RTC4615	LIGHT UNIT	HALOGEN
3	607206	SEAL	
4	PRC7992	BEZEL	
5	RTC1821	BODY	
6	90575260	HARNES	
7	AEU1478	SCREW KIT	
8	AB606082L	SCREW	
H	AEU1478	SCREW KIT	
K	589143	SIDE REPEATER	TO BA 999999
K	PRC4562	SIDE REPEATER	FROM CA 000001

FROM DA 273923

A	PRC5391	HEADLAMP	
B	RTC4615	LIGHT UNIT	
B	STC1209	HEADLAMP	FROM KA624755
C	PRC7992	BEZEL	
D	STC643	BODY	
E	531586	GASKET	
F	PRC7993	HARNES	
G	AB608041L	SCREW	
H	BHM7058L	SCREW KIT	
J	PRC7441	SIDE REPEATER	TO HA 610293
J	AFU3341L	SIDE REPEATER	FROM JA 610294

TO CA 273922 REAR

A	AEU1610	LENS RH	
A	AEU1609	LENS LH	
B	264591	BULB	
C	601544	HARNES	

FROM DA 273923

1	PRC5575	SIDE LIGHT RH	
1	PRC5576	SIDE LIGHT LH	
2	RTC5244	BULB HOLDER	
3	RTC5245	HARNES	

LH DRIVE

2	RTC3683	LIGHT UNIT	SEALED BEAM
2	PRC7994	LIGHT UNIT	HALOGEN

QUICK REFERENCE

PAGE 24

PARTS SUITABLE FOR RANGE ROVER - Classic

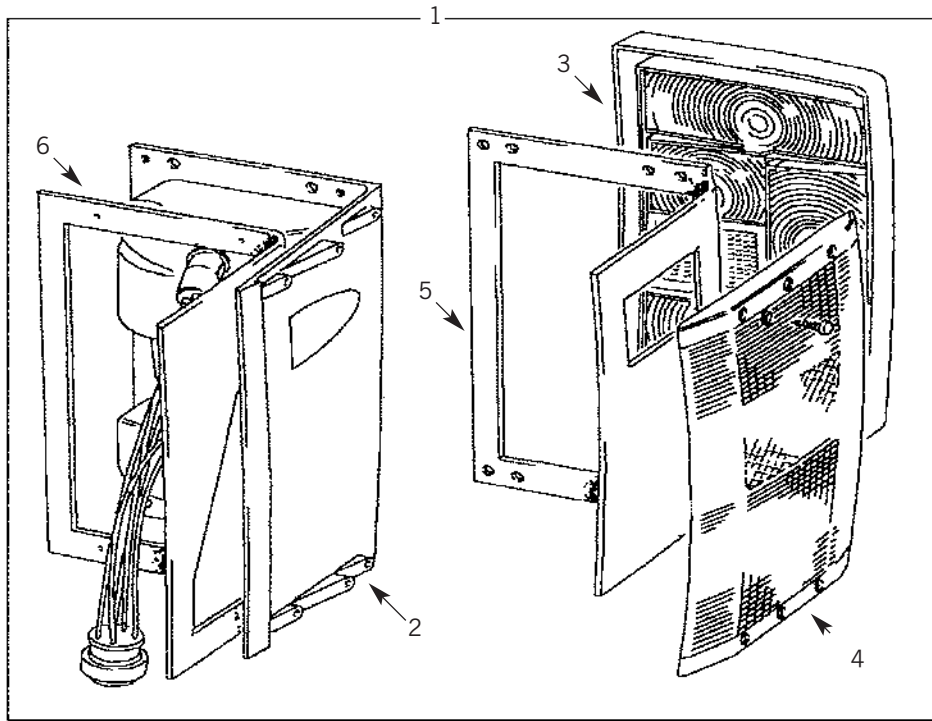
Tel: +44 (0)29 20 856 550

Manufacturers' part numbers are used for reference purposes only

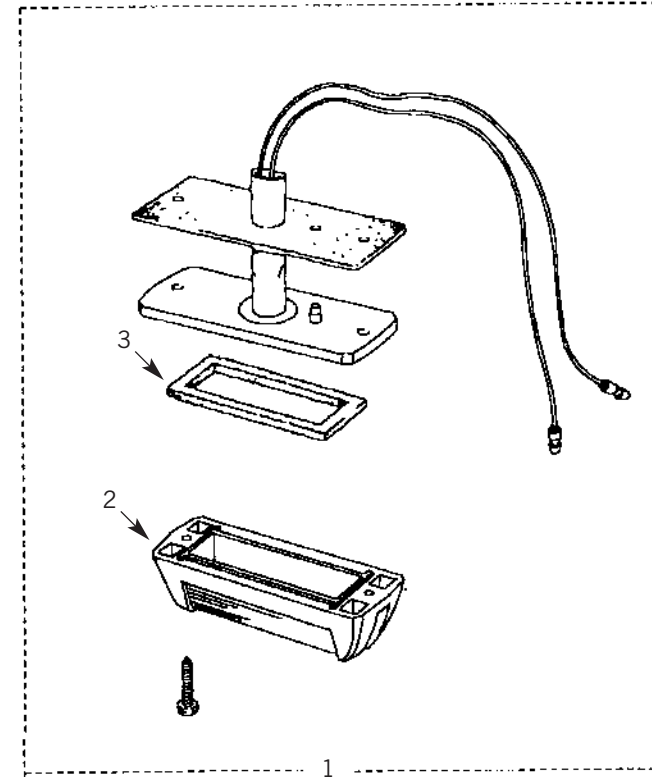


B
E
A
R
M
A
C
H

Lighting



1	PRC7896	RH REAR LAMP	FROM DA 273923
1	PRC7897	LH REAR LAMP	FROM DA 273923
2	RTC5901	RH REAR LAMP	TO CA 273922
2	RTC5902	LH REAR LAMP	TO CA 273922
3	RTC5551	RH REAR LENS	TO CA 273922
3	RTC5552	LH REAR LENS	TO CA 273922
3	RTC5989	RH REAR LENS	FROM DA 273923
3	RTC5990	LH REAR LENS	FROM DA 273923
3	90607118	RH REAR LAMP	TO VIN 100782
3	607117	RH REAR LAMP	TO VIN 100782
4	RTC5294	RH SIDE LENS	
4	RTC5295	LH SIDE LENS	
4	607115	RH SIDE LENS	TO VIN 100782
4	607116	LH SIDE LENS	TO VIN 100782
5	STC962	GASKET	
6	AEU1525	GASKET	

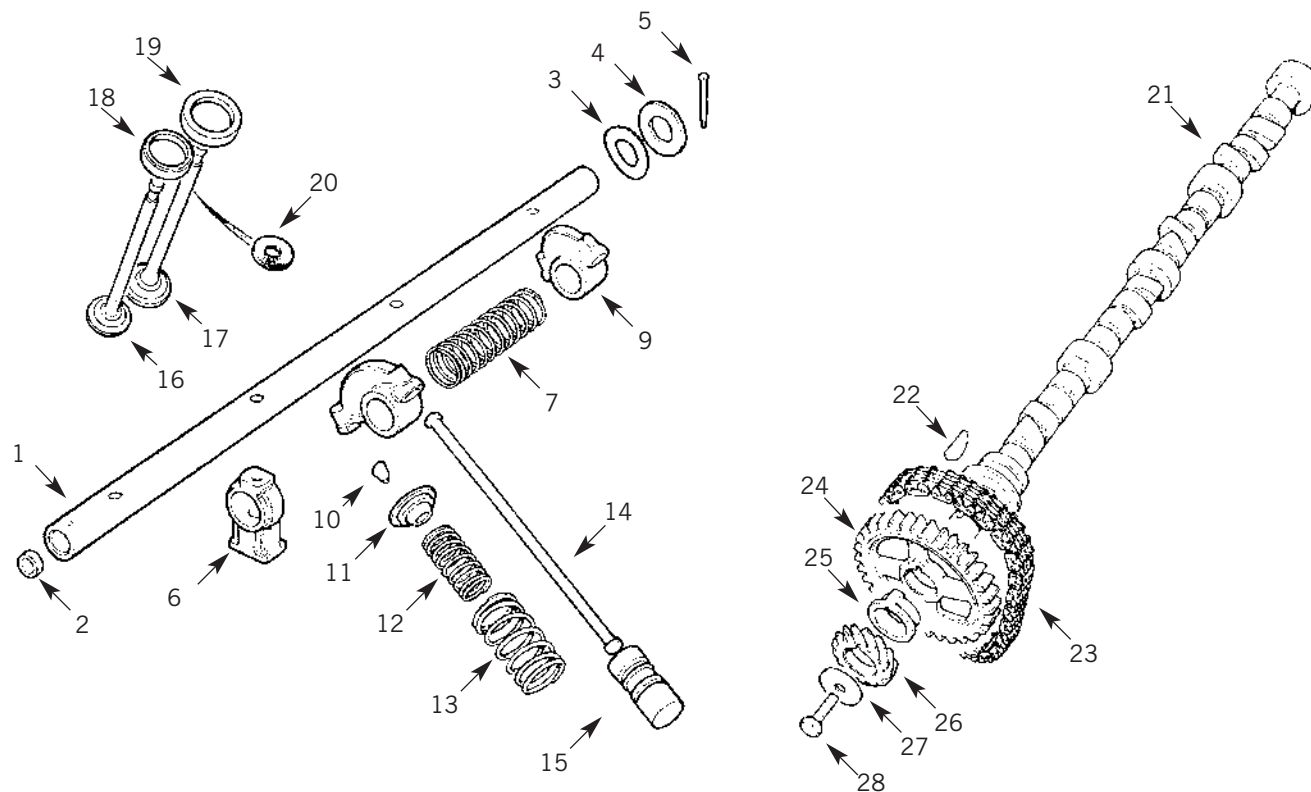


1	PRC3824	NO. PLATE LAMP	TO CA 273922
1	PRC6066	NO. PLATE LAMP	FROM DA 273923
2	RTC3831	LENS	
3	RTC3830	GASKET	

Website - www.bearmach.com



V8 Camshaft & Rockershaft



NOTES

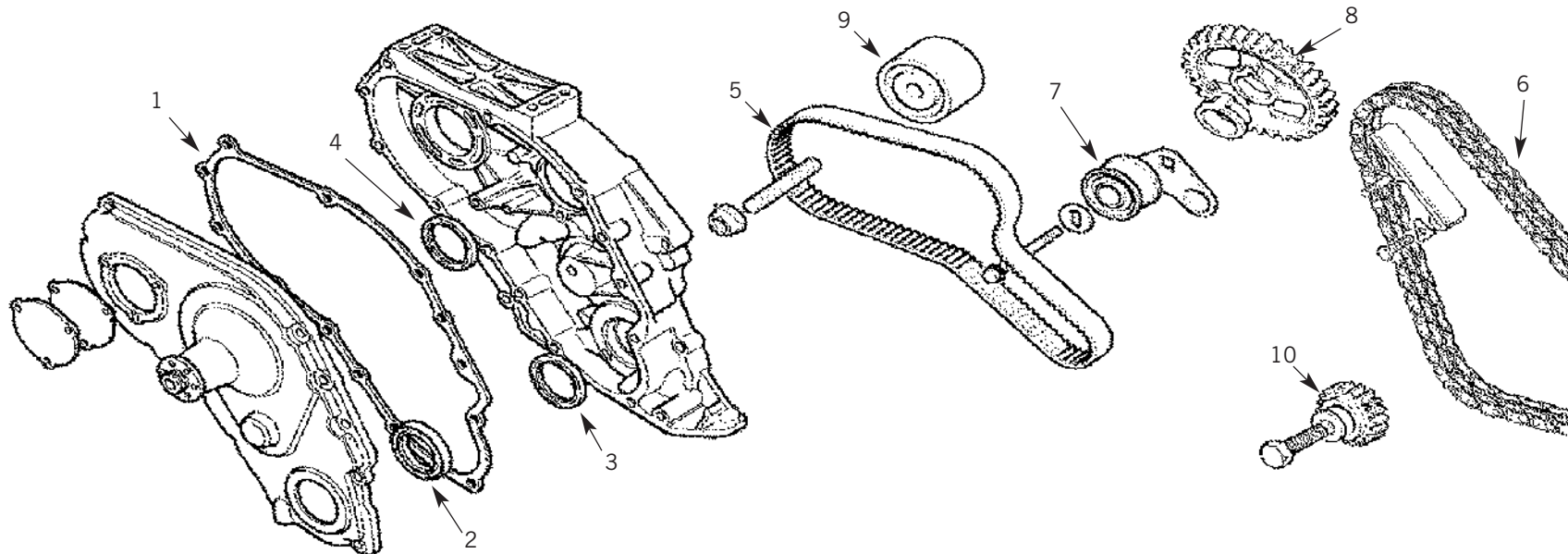
1	611659L	ROCKERSHAFT	
2	154545	CORE PLUG	
3	602148	WASHER - WAVED	
4	602186	WASHER - PLAIN	
5	PS606101L	SPLIT PIN	
6	603734	SUPPORT PILLAR	
7	602153	ROCKER ASSY RH	
8	602154	ROCKER ASSY LH	
9	602142	SPRING	
10	ERC1637	COTTER	
11	90602451	CAP	A
11	ERC573	CAP	B
12	602241	SPRING	A
13	602240	SPRING	A
13	ERR4628	SPRING	B
14	603378	PUSH ROD	
15	ERC4949	TAPPET	
16	STC1122	EXHAUST VALVE	3.5
16	ERR7338	EXHAUST VALVE	3.9
17	STC1121	INLET VALVE	CARB
17	ERC9088	INLET VALVE	EFI
18	ERC210	SEAT - EXHAUST	3.5
18	ETC8596	SEAT - EXHAUST	3.9
19	ERC224	VALVE SEAT - INLET	
20	ERC7865	VALVE STEM SEAL	3.5
20	ERC7865	VALVE STEM SEAL	3.9 C
20	ERC1785	VALVE STEM SEAL	3.9 D
21	ETC6850L	CAMSHAFT	CARB E
21	ETC6849	CAMSHAFT	CARB F
21	ETC6099	CAMSHAFT	3.5 EFI
21	ERR5924	CAMSHAFT	3.9 EFI
22	90602025	KEY	A
22	ERC2838	KEY	B
23	ERC7929	TIMING CHAIN	
24	610289	CAMSHAFT SPROCKET	
25	602149	SPACER	A
25	ERC2839	SPACER	B
26	602159	GEAR - DISTRIBUTOR	A
26	614188	GEAR - DISTRIBUTOR	B
27	ERC6552	WASHER	
28	602227	BOLT	A
28	ERC5749	BOLT	B

NOTES

A	ENGINES 341, 355, 359 SUFFIX A,B,C,D,E,F
B	ALL EXCEPT ABOVE
C	TO 35D 06576A, 36D 14149A, 37D 00751A, 38D 23045A
D	FROM 35D 06577A, 36D 14150A, 37D 00752A, 38D 23046A
E	8.13:1or 8.25:1
F	9.35:1



Engine Timing



3.5 / 3.9 V8

1	ERR4936	FRONT COVER GASKET	
2	602178	CRANKSHAFT SEAL	ENGINES 355, 359 SUFFIX A
2	ERR6490	CRANKSHAFT SEAL	ALL EXCEPT ABOVE
6	ERC7929	TIMING CHAIN	
8	610289	CAMSHAFT SPROCKET	
10	ERR2958	CRANKSHAFT SPROCKET	

2.4 VM

1	STC2905	FRONT COVER GASKET	
2	RTC5771	CRANKSHAFT SEAL	

2.5 VM

2	RTC6771	CRANKSHAFT SEAL	
---	---------	-----------------	--

200TDI

1	ERR1553	GASKET - TIMING COVER	
2	ETC4154	OIL SEAL - FRONT COVER	
3	ERR1632	OIL SEAL - CRANKSHAFT	
4	ETC5064	OIL SEAL - CAMSHAFT	
5	ETC8550	TIMING BELT	
7	ERR2530	TENSIONER FOR BELT	

300TDI

1	ERR7293	GASKET - TIMING COVER	
2	ERR4576	OIL SEAL - FRONT COVER	
3	ERR4575	OIL SEAL - CRANKSHAFT	
4	ERR3356	OIL SEAL - CAMSHAFT	
5	ERR1092	TIMING BELT	
7	ERR1972	TENSIONER FOR BELT	
9	ETC8560	IDLER FOR BELT	

300TDi Camshaft Kits

STC4095K

INCLUDES AS ABOVE, PLUS:

ERR4706	Cover Side
ERR4860	Gasket Front Cover
BR1142	Joint Washer
ERR631	Gasket
ERR4664	Cover Front Engine
ERR6835	Bracket Support

Modification to replace parts on all 300TDi prior to VIN MA664120

STC4096K

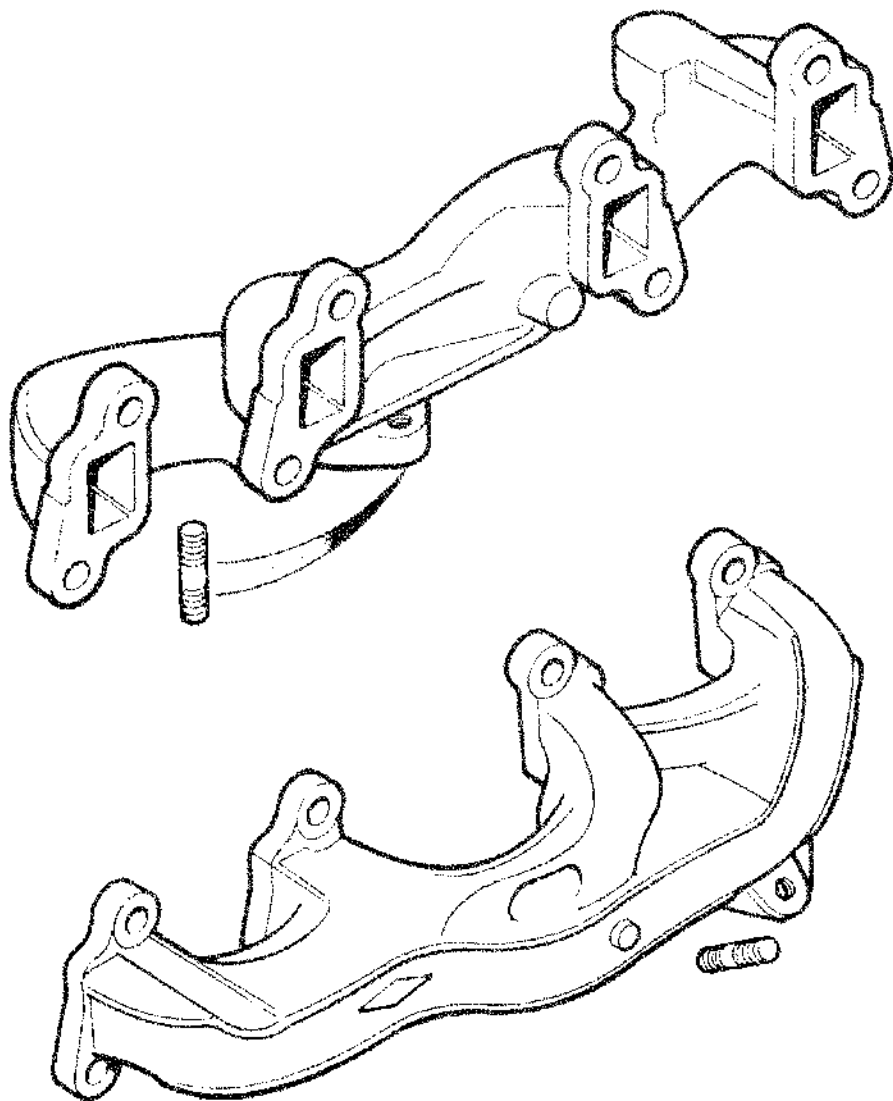
INCLUDES:

ERR4120	Gasket Cover Plate
ERR1092	Timing Belt
LHV10015	Idler - Timing Belt
LHP10086	Tensioner - Timing Belt - OEM
ERR4707	Pulley - Timing Belt



B
E
A
R
M
A
C
H

Exhaust Manifolds



V8 CARB

611520	MANIFOLD	RH	TO CA	ENGINES 355,359 SUFFIX A,B
ERR2533	MANIFOLD	RH		LESS HEAT TRANSFER COVER
ERR2537	MANIFOLD	RH	CA - HA 610292	WITH HEAT TRANSFER COVER
ERR2535	MANIFOLD	LH		
ERC3606	GASKET		8 REQUIRED	
252623	STUD			

V8 EFI

ERR7394	MANIFOLD	RH		
ERR7393	MANIFOLD	LH		
ERC3606	GASKET			
ERR551L	STUD			

VM DIESEL

RTC4924	MANIFOLD		FRONT	
AEU2233L	MANIFOLD		REAR	
RTC4893	GASKET		4 REQUIRED	
RTC6718	STUD	M6		
RTC6717	STUD	M8		

200TDI

ERR789	MANIFOLD			
ERR1208	GASKET			
ETC7667	STUD		4 REQUIRED	
TE108061L	STUD		1 REQUIRED	

300TDI

ERR4802	MANIFOLD & TURBO			
ERR3785	GASKET			
TE110071L	STUD		7 REQUIRED	
TE108051L	STUD		2 REQUIRED	

QUICK REFERENCE

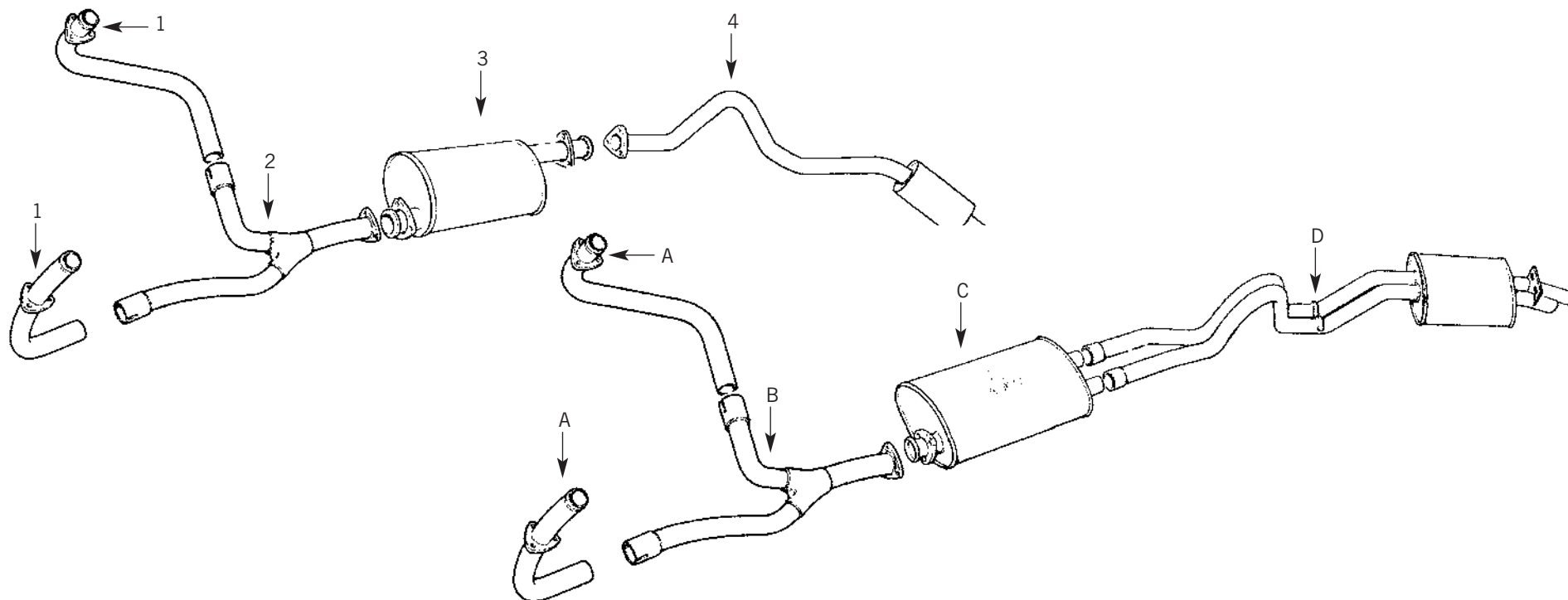
PAGE
28

PARTS SUITABLE FOR
RANGE ROVER - Classic

Tel: +44 (0)29 20 856 550



Exhaust System TO CA (OCT 85)



SINGLE TAILPIPE SYSTEM

1	NRC4220	DOWNPIPE	RH	
1	NRC4219	DOWNPIPE	LH	
1	NRC6629	DOWNPIPE	LH	*
2	NRC4218	Y - PIECE		
2	NTC7184	Y - PIECE		*
3	594973	CENTRE SILENCER		
4	594779	REAR SILENCER		

TWIN TAILPIPE SYSTEM

A	NRC4220	DOWNPIPE	RH	
A	NRC4219	DOWNPIPE	LH	
A	NRC6629	DOWNPIPE	LH	*
B	NRC4218	Y - PIECE	UP TO AA	
B	NTC7184	Y - PIECE		*
C	NRC1973	CENTRE SILENCER		
D	NRC4563	REAR SILENCER		
D	NRC7185	REAR SILENCER		*

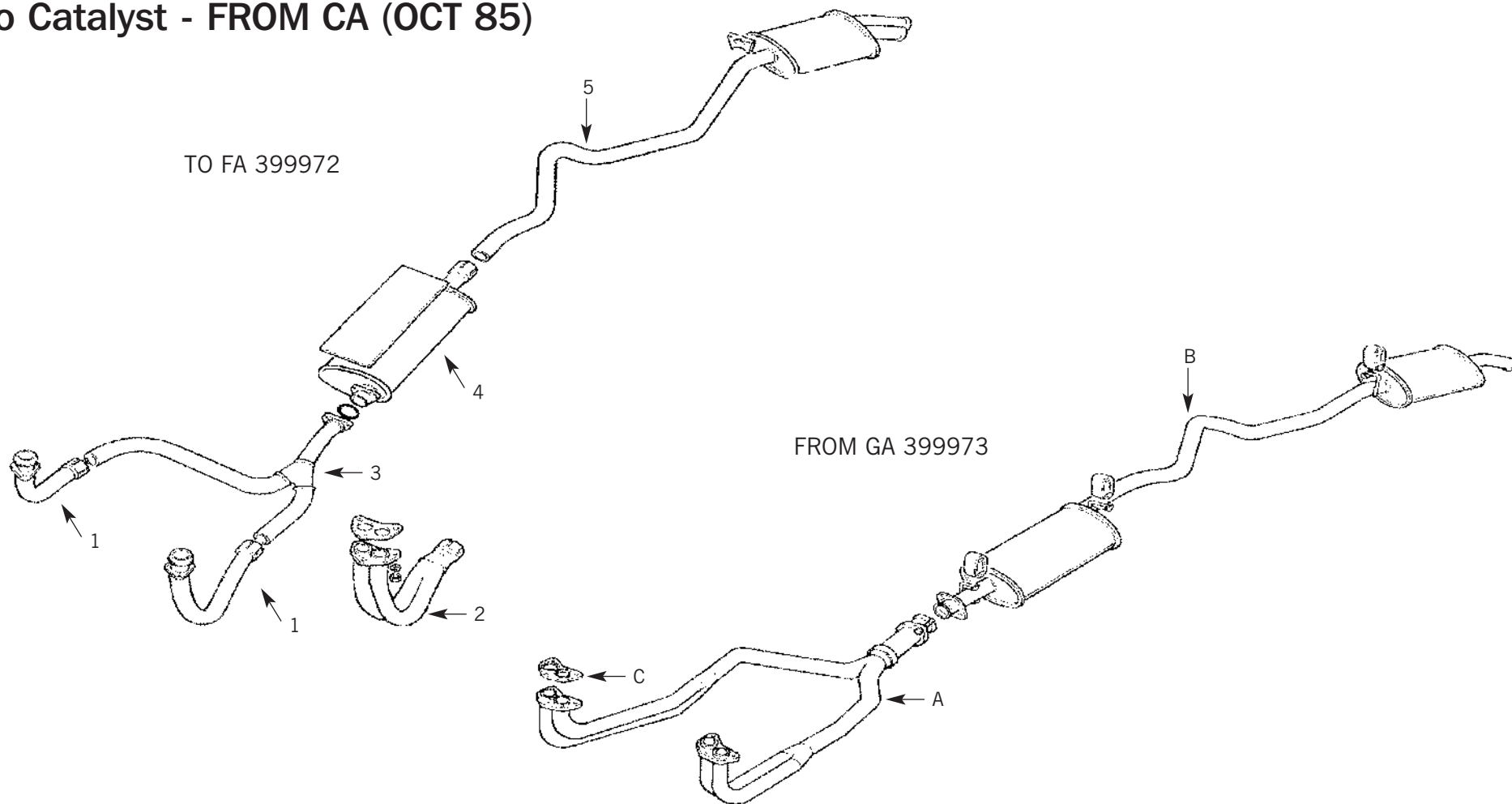
*FOR MANUAL & AUTOMATIC VEHICLES:
 2 DOOR MANUAL - FROM AA 125322
 4 DOOR MANUAL - FROM AA 125310
 2 DOOR AUTOMATIC - FROM AA 121865
 4 DOOR AUTOMATIC - FROM AA 121296



B
E
A
R
M
A
C
H

Exhaust System

No Catalyst - FROM CA (OCT 85)



CA - FA 399972

1	NTC2802	DOWNPIPE	RH
1	NTC3226	DOWNPIPE	LH
2	NTC1864	DOWNPIPE	RH
2	NTC1863	DOWNPIPE	LH
3	NTC4061	Y - PIECE	
4	NTC1322	CENTRE SILENCER	
5	NRC9836	REAR SILENCER	

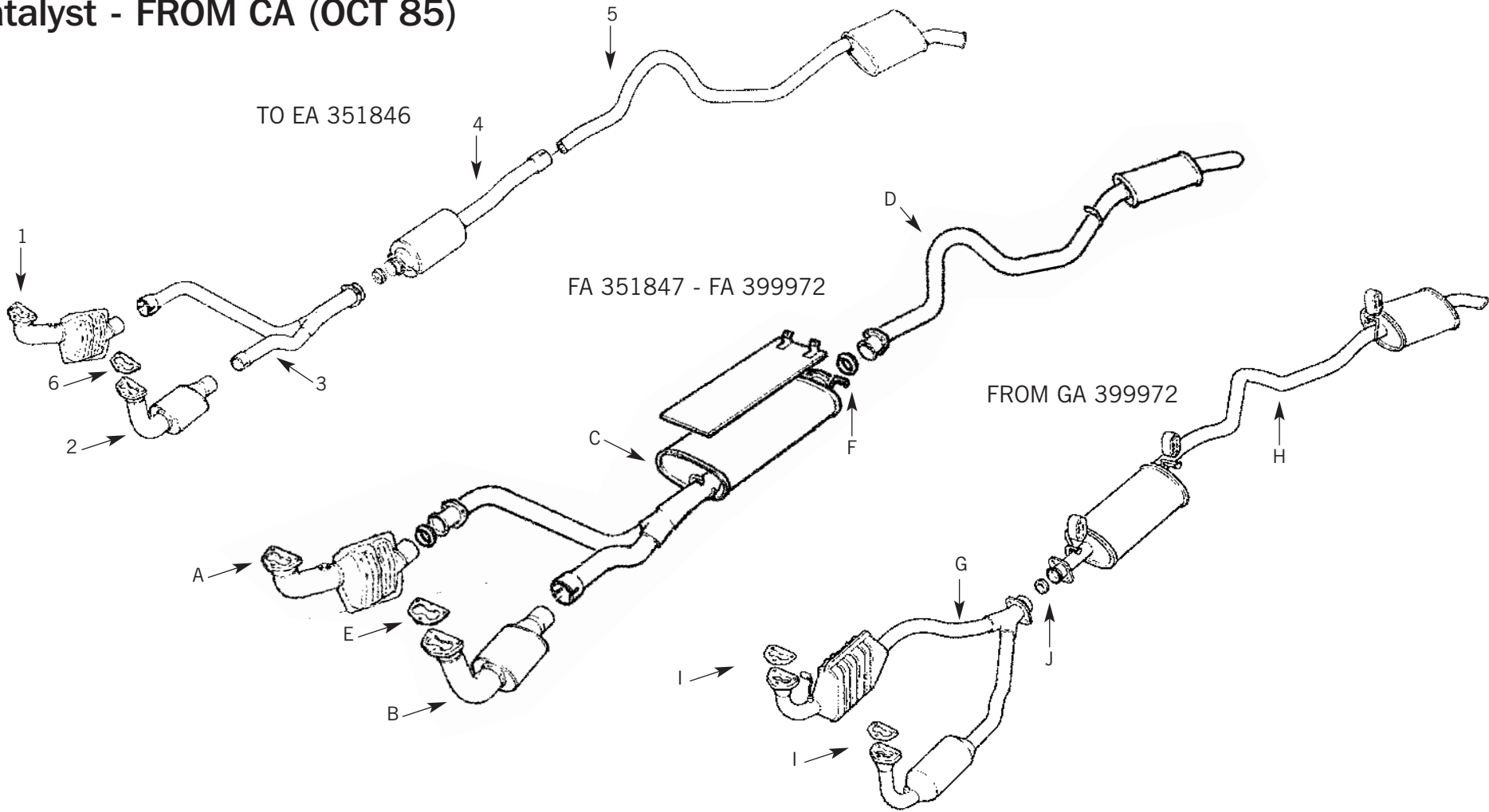
FROM GA 399973

A	NTC7321	DOWNPIPE	MANUAL
A	NTC7320	DOWNPIPE	100" AUTOMATIC
A	ESR2423	DOWNPIPE	108" AUTOMATIC
B	ESR560	REAR SILENCER	EXCEPT CSK
B	ESR443	REAR SILENCER	CSK
C	ETC4524	GASKET	



Exhaust System

Catalyst - FROM CA (OCT 85)



CA - EA 351846

1	NTC3901	DOWNPIPE	RH
2	NTC3884	DOWNPIPE	LH
3	NTC3912	Y-PIECE	
4	NTC3949	CENTRE SILENCER	
5	NTC4164	REAR SILENCER	
6	ETC4524	GASKET	

FA 351847 - FA 399972

A	NTC5576	DOWNPIPE	RH
B	NTC5577	DOWNPIPE	LH
C	NTC5578	CENTRE SILENCER	
D	NTC5579	REAR SILENCER	
E	ETC4524	GASKET	
F	CRC4579L	OLIVE	

FROM GA 399973

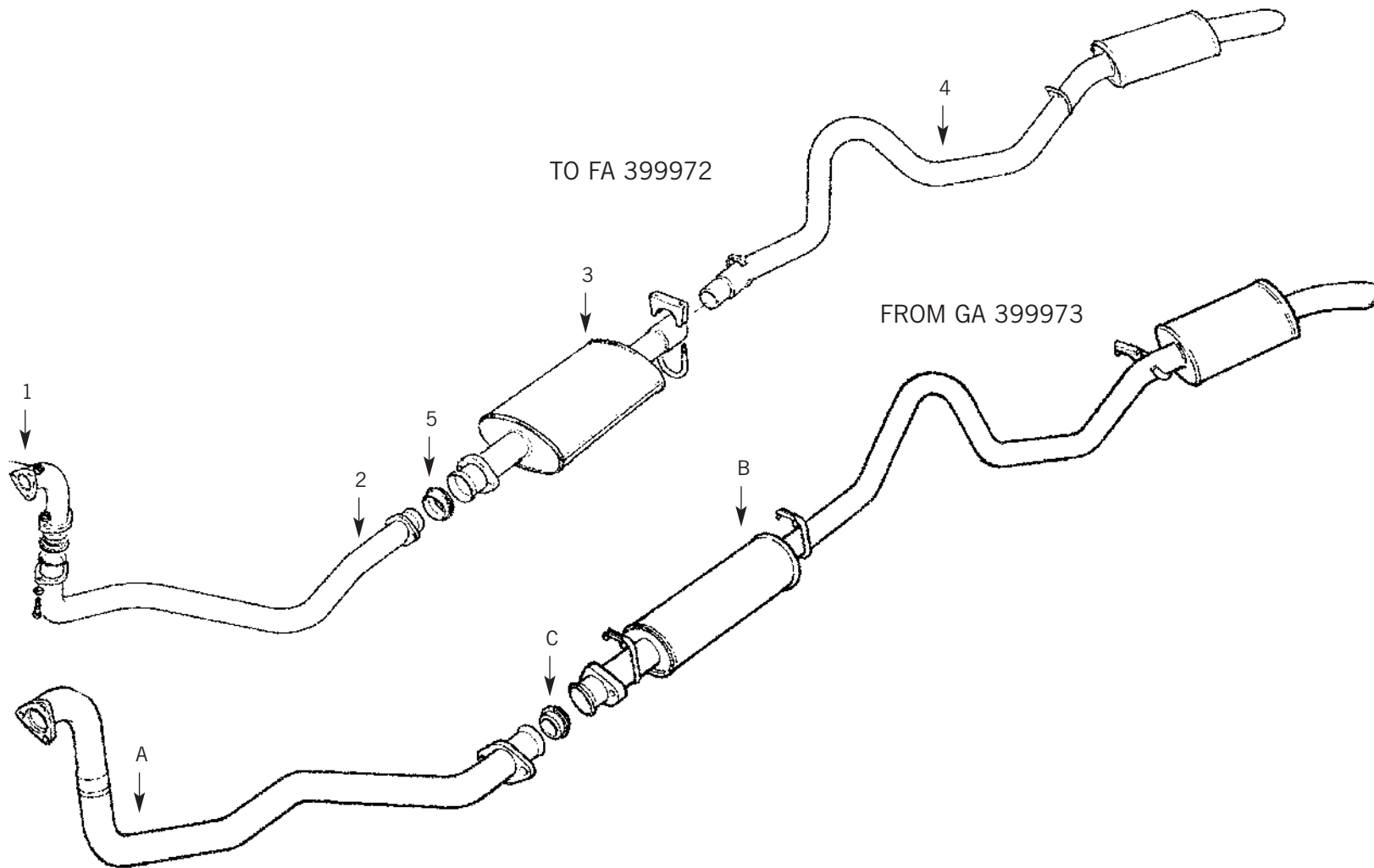
G	ESR3063	DOWNPIPE	MANUAL
G	ESR3059	DOWNPIPE	AUTOMATIC
H	ESR1053	REAR SILENCER	*
I	ETC4524	GASKET	
J	CRC4579L	OLIVE	



B
E
A
R
M
A
C
H

Exhaust System

VM - Diesel - FROM CA (OCT 85)



CA - FA 399972

1	NTC1481	DOWNPIPE
2	NTC1483	INTERMEDIATE PIPE
3	NTC1484	CENTRE SILENCER
4	NTC2960	REAR SILENCER
5	CRC4579L	OLIVE

FROM GA 399973

A	NTC7395	DOWNPIPE
B	NTC7362	REAR ASSEMBLY
C	CRC4579L	OLIVE

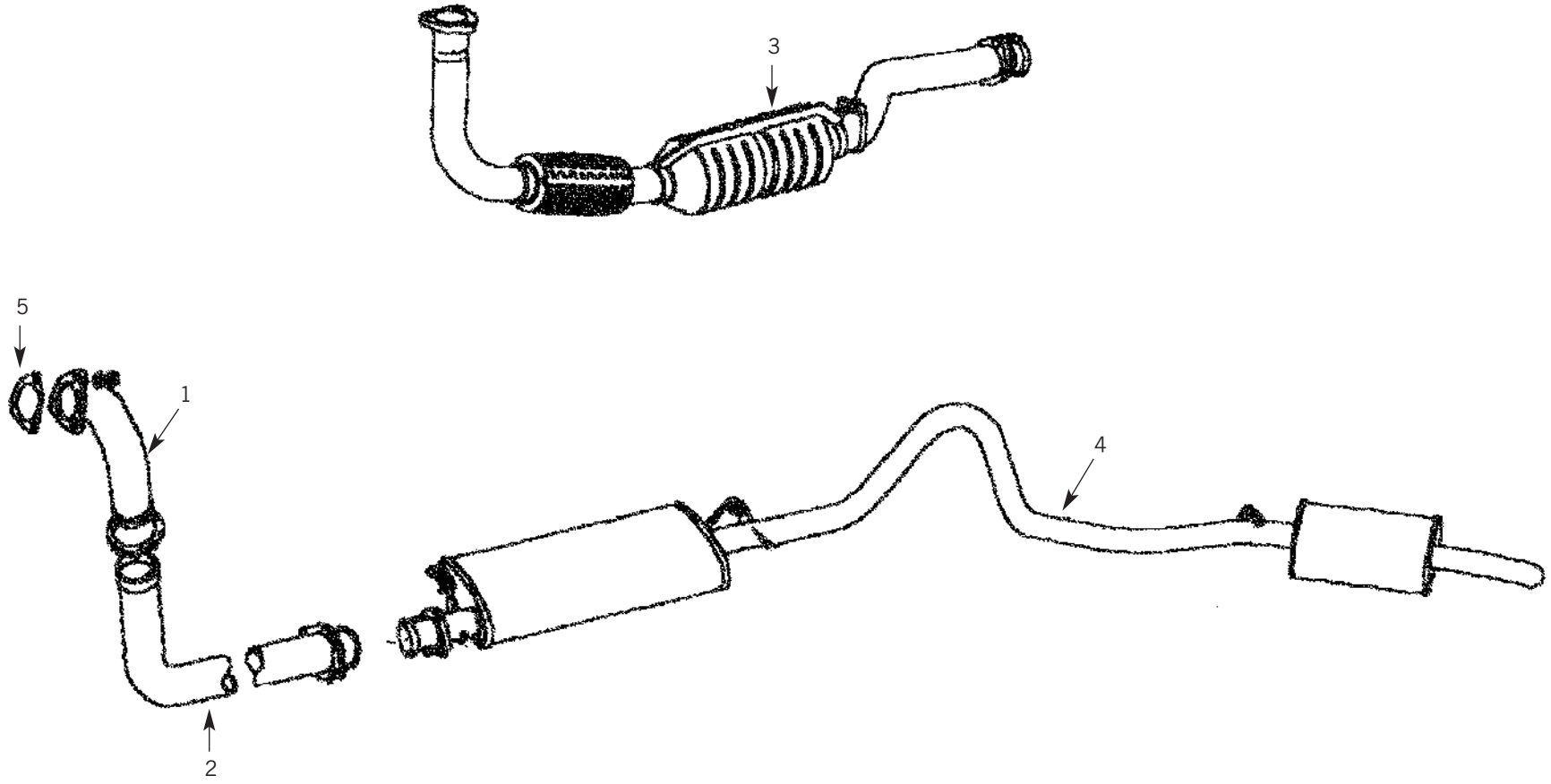
Tel: +44 (0)29 20 856 550

Manufacturers' part numbers are used for reference purposes only



Exhaust System

TDI Diesel - FROM JA 610293 (92)



200 TDI DIESEL

1	ERR1295	DOWNPIPE	TO (E) 14L 037468a
1	ERR4530	DOWNPIPE	LA 643530 - LA 647644
2	ESR1887	DOWNPIPE	TO LA 647645
4	ESR1855	REAR ASSEMBLY	TO LA 647645
5	ESR3260	GASKET	TO LA 647645

300 TDI DIESEL

3	ESR2740	DOWNPIPE	FROM MA 647645	NO CAT
3	ESR3495	DOWNPIPE	FROM MA 647645	CAT
4	ESR2380	REAR ASSEMBLY	FROM MA 647645	NO CAT
4	ESR2312	REAR ASSEMBLY	FROM MA 647645	CAT

(E) - ENGINE NUMBER

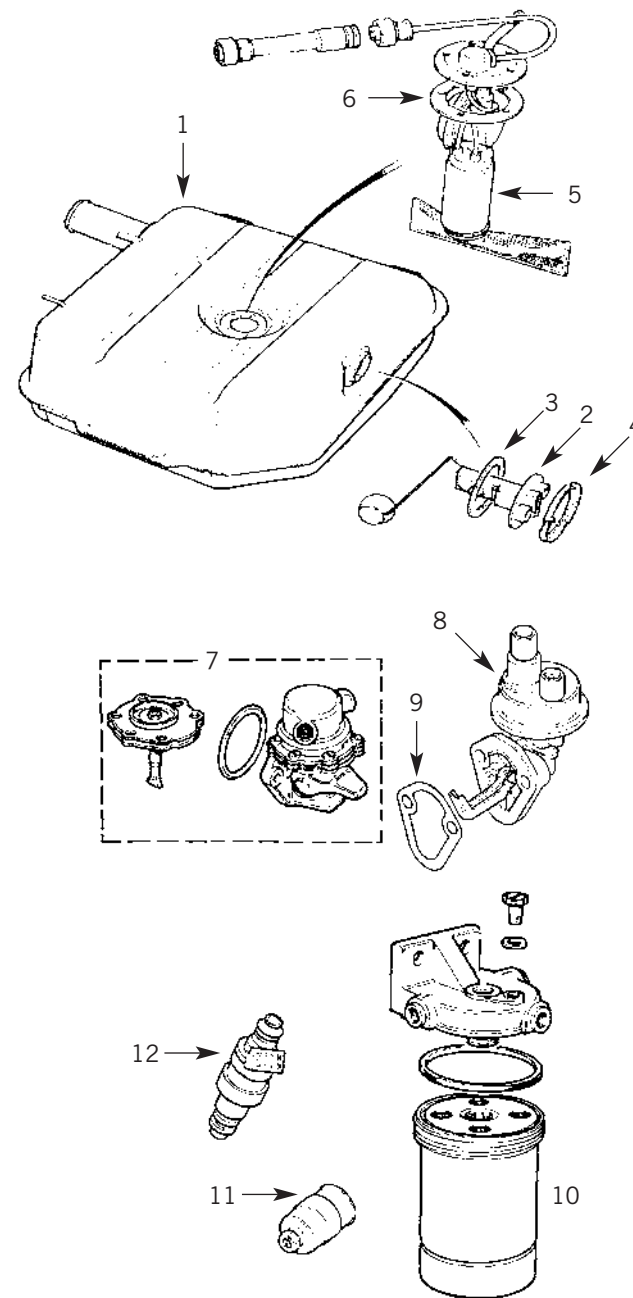


Fuel System

B
E
A
R
M
A
C
H

1	575601	PETROL TANK	TO CA			
1	WFE000190	FUEL TANK	CA - GA 464553	18 GALLON	NO EVAP LOSS	A*
1	ESR2000	FUEL TANK	CA - GA 464553	16 GALLON	EVAP LOSS	A*
1	WHW100000	FUEL TANK	HA 464554 - HA 610293			B,C
1	WHW100000	FUEL TANK	FROM JA 610294	PETROL		B,C
1	ESR2584	FUEL TANK	FROM JA 610294	DIESEL		B,C
2	PRC4510	GAUGE UNIT	TO CA			
2	PRC8822	GAUGE UNIT	CA - GA 464553	PETROL		
2	PRC8823	GAUGE UNIT	CA - GA 464553	DIESEL		
3	ARA1502L	SEAL				
4	ARA1501L	LOCK RING				
5	PRC3343	PUMP	TO CA	PETROL	TWIN CARB	
5	PRC7020	PUMP	CA - GA 464553	PETROL	TWIN CARB	
5	PRC8318	PUMP	CA - GA 464553	PETROL	EFI	
5	PRC9409	PUMP	HA 464554 - KA 642682	PETROL		
5	PRC7129	PUMP	HA 464554 - KA 642682	DIESEL		
5	ESR3926	PUMP	FROM KA 642683	PETROL		
5	ESR1223	PUMP	FROM KA 642683	DIESEL		
6	WCQ000020	SEAL	CA - GA 464553			
6	NTC5859	SEAL	FROM HA 464554			
7	AEU2291L	LIFT PUMP		DIESEL	VM	
8	STC1190	LIFT PUMP		DIESEL	200 TDI	
8	ERR5057	LIFT PUMP		DIESEL	300 TDI	
9	ERR2028	GASKET		DIESEL	200/300TDI	
10	JS660L	FILTER ELEMENT		PETROL	TWIN CARB	
10	AEU2147L	FILTER ELEMENT		DIESEL		
11	STC1677	FILTER - INLINE	TO GA 464553	PETROL	EFI	
11	ESR4065	FILTER - INLINE	FROM HA 464554	PETROL	EFI	
12	ERC3620	INJECTOR	3.5 EFI	NO CAT		
12	ETC6264	INJECTOR	3.5 EFI	CAT		
12	ERR722	INJECTOR	3.9 EFI			
12	ETC8412	INJECTOR	200TDI			
12	ERR3337	INJECTOR	300TDI	DETOXED		
12	ERR3339	INJECTOR	300TDI	EGR		
12	ERR3348	INJECTOR	300TDI	EDC		

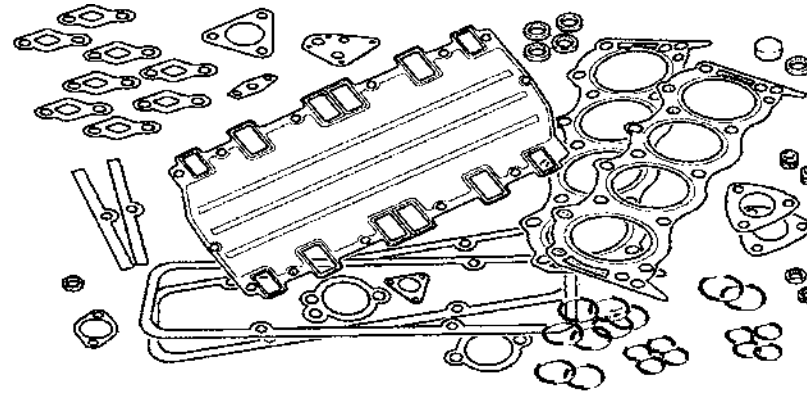
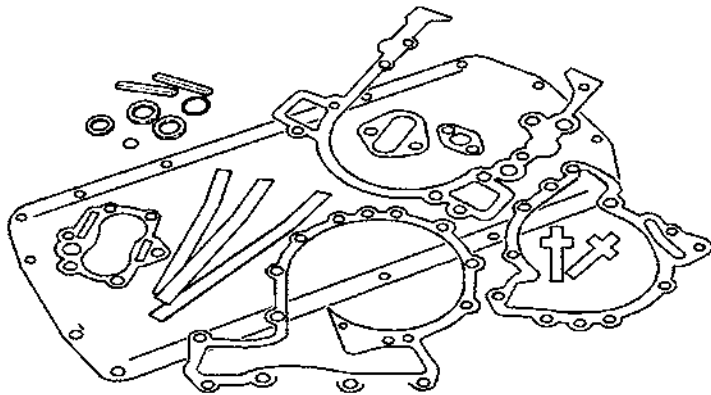
A	ESR2204	CRADLE	* INCLUDED WITH TANK
B	NTC5787	CRADLE	
C	ESR1056	HOSE	





Engine Gaskets

See Engine Belts p8
Engine Parts p26-27



NOTE

Head Gaskets are available in 3 Different thicknesses.
 1.3mm - 1 Hole
 1.4mm - 2 Holes
 1.5mm - 3 Holes
 The holes that denote the thickness are on a tab at the side of the gasket.

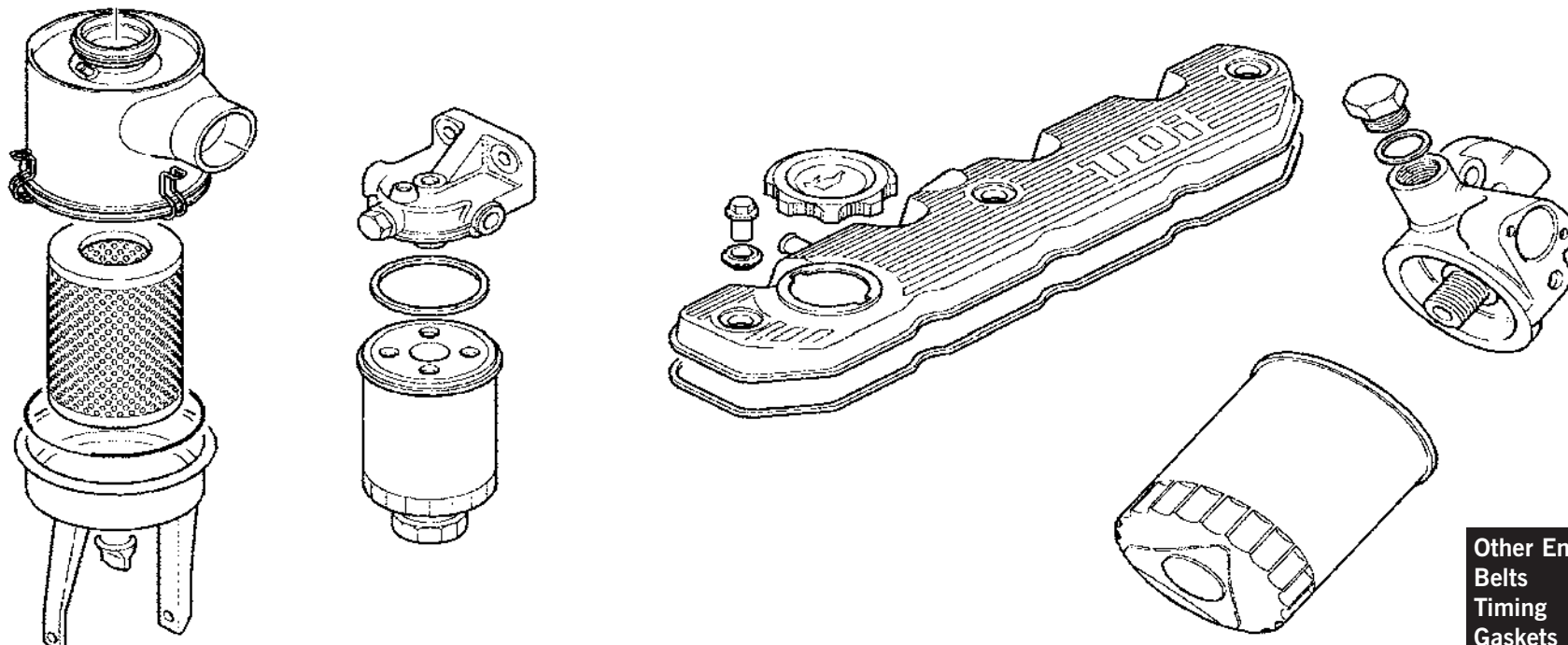
603796	3.5 V8	HEAD GASKET ONLY	TO HA 610293
ETC7819	3.9 V8	HEAD GASKET ONLY	
STC1570	VM DIESEL	HEAD GASKET ONLY	1.42mm
STC1571	VM DIESEL	HEAD GASKET ONLY	1.52mm
STC1844	VM DIESEL	HEAD GASKET ONLY	1.62mm
200TDI	ERR5261	HEAD GASKET ONLY	1 HOLE
200TDI	ERR5262	HEAD GASKET ONLY	2 HOLE
200TDI	ERR5263	HEAD GASKET ONLY	3 HOLE
300TDI	ERR4537	HEAD GASKET ONLY	1 HOLE
300TDI	ERR4538	HEAD GASKET ONLY	2 HOLE
300TDI	ERR4539	HEAD GASKET ONLY	3 HOLE
RTC3337	3.5 V8 CARB	HEAD GASKET SET	
STC1642	3.5 V8 EFI	HEAD GASKET SET	
STC1641	3.9 V8 EFI	HEAD GASKET SET	TO 35D 08927B
STC1641	3.9 V8 EFI	HEAD GASKET SET	TO 36D 25154B
STC1641	3.9 V8 EFI	HEAD GASKET SET	TO 37D 02931B
STC1641	3.9 V8 EFI	HEAD GASKET SET	TO 38D 27237B
STC1641	3.9 V8 EFI	HEAD GASKET SET	TO 40D 09581B
STC4082	3.9 V8 EFI	HEAD GASKET SET	FROM 35D 08928B
STC4082	3.9 V8 EFI	HEAD GASKET SET	FROM 36D 25154B

STC4082	3.9 V8 EFI	HEAD GASKET SET	FROM 37D 02931B
STC4082	3.9 V8 EFI	HEAD GASKET SET	FROM 38D 27237B
STC4082	3.9 V8 EFI	HEAD GASKET SET	FROM 40D 09581B
STC850	VM DIESEL	HEAD GASKET SET	head gasket not inc.
STC1172	200TDI	HEAD GASKET SET	head gasket not inc.
STC2802	300TDI	HEAD GASKET SET	head gasket not inc.
RTC3306	3.5 V8 CARB	BOTTOM GASKET SET	
STC1639	V8 EFI	BOTTOM GASKET SET	TO 35D 08927B
STC1639	V8 EFI	BOTTOM GASKET SET	TO 36D 25154B
STC1639	V8 EFI	BOTTOM GASKET SET	TO 37D 02931B
STC1639	V8 EFI	BOTTOM GASKET SET	TO 38D 27237B
STC1639	V8 EFI	BOTTOM GASKET SET	TO 40D 09581B
STC2823	V8 EFI	BOTTOM GASKET SET	FROM 35D 08928B
STC2823	V8 EFI	BOTTOM GASKET SET	FROM 36D 25154B
STC2823	V8 EFI	BOTTOM GASKET SET	FROM 37D 02931B
STC2823	V8 EFI	BOTTOM GASKET SET	FROM 38D 27237B
STC2823	V8 EFI	BOTTOM GASKET SET	FROM 40D 09581B
STC1557	200TDI	BOTTOM GASKET SET	
STC2801	300TDI	BOTTOM GASKET SET	



B
E
A
R
M
A
C
H

Service Items



Other Engine parts:
Belts p8
Timing p27
Gaskets p36

3.5 V8 CARB to 86

OIL FILTER	ERR3340
AIR FILTER	605191
FUEL FILTER	JS660L
SPARK PLUG (short)	RTC3573
SPARK PLUG (long)	RTC3570
SPARK PLUG (late)	ERR3799
CONDENSER	RTC3472
POINTS	RTC6623
FLAME TRAP	603330
BREATHER	606168
DIAPRAGM	JS499R
SUMP GASKET	602087
SUMP WASHER	213961L

VM DIESEL

OIL FILTER	AEU2218L
AIR FILTER	NTC1435
FUEL FILTER	AEU2147L
FUEL FILTER (heated)	RTC5938
ROCKER GASKET	
up to eng 18390	RTC4892
from eng 18391	STC814
SUMP SEALANT	RTC3254
SUMP WASHER	STC564

3.5 + 3.9 V8 EFI 86 on

OIL FILTER	ERR3340
AIR FILTER	RTC4683
FUEL FILTER (large)	NTC5958
FUEL FILTER (in line)	ESR4065
CRANK VENT	ERC248
BREATHER	ERC3209
SPARK PLUG 3.5	ERR3799
SPARK PLUG 3.9	ERR743
SUMP GASKET	608087
SUMP WASHER	213961L

200 TDI

OIL FILTER	ERR3340
AIR FILTER	ESR1049
FUEL FILTER	AEU2147L
FUEL FILTER (heated)	RTC5938
ROCKER GASKET	ERR2393
SUMP SEALANT	STC611
SUMP WASHER	213961L

300 TDI

OIL FILTER	ERR3340
AIR FILTER	ESR1445
FUEL FILTER	AEU2147L
FUEL FILTER (heated)	RTC5938
ROCKER GASKET	ERR2409
SUMP SEALANT	STC50550
SUMP WASHER	UAM2857L

Tel: +44 (0)29 20 856 550

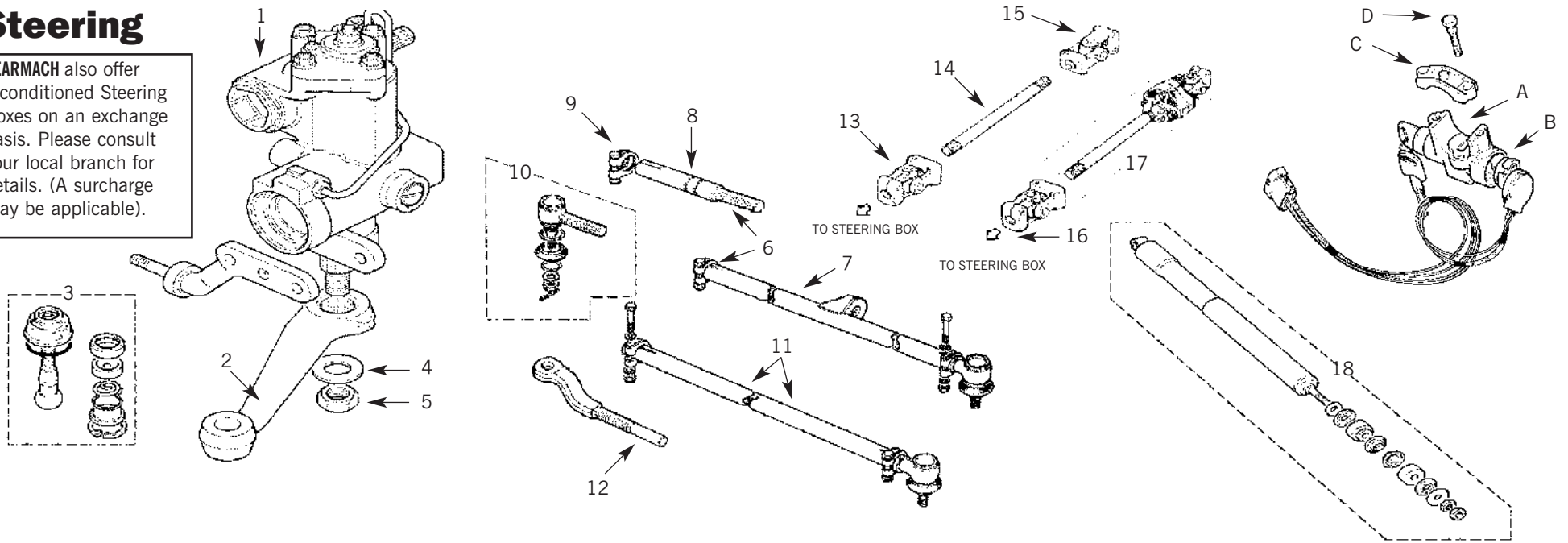
Manufacturers' part numbers are used for reference purposes only



BEARMACH

Steering

BEARMACH also offer reconditioned Steering Boxes on an exchange basis. Please consult your local branch for details. (A surcharge may be applicable).



1	NRC8224	STEERING BOX	MANUAL	TO CA
1	STC1137	STEERING BOX	POWER	TO CA
1	STC8384E	STEERING BOX	POWER	FROM CA
2	NRC8514K	DROP ARM	MANUAL	TO AA 135736
2	RTC6398	DROP ARM	MANUAL	FROM AA 135737
2	QFW000020	DROP ARM	POWER	TO JA 621323
2	NTC9236	DROP ARM	POWER	FROM JA 621324
3	AEU2761	BALL JOINT KIT	MANUAL	TO AA 135736
3	RBG000010	BALL JOINT KIT	MANUAL	FROM AA 135737
3	RBG000010	BALL JOINT KIT	POWER	TO JA 621323
3	RTC5870	BALL JOINT KIT	POWER	FROM JA 621324
4	600265	WASHER		TO JA 621323
4	STC874	WASHER		FROM JA 621324
5	NT614041L	NUT		
6	RTC1799	TRACK ROD ASSY		
7	NRC145	TRACK ROD TUBE		
8	NRC4700	TRACK ROD SHAFT		
9	577898	CLAMP		
10	RTC5869	TRACK ROD END		RH THREAD
10	RTC5870	TRACK ROD END		LH THREAD
11	NRC1824	DRAG LINK TUBE		TO JA 621323
11	NTC8390	DRAG LINK TUBE		FROM JA 621324
12	NRC1823	DRAG LINK END		
13	NRC7704	UNIVERSAL JOINT		TO CA

14	575728	SHAFT	MANUAL	TO CA
14	592779	SHAFT	POWER	TO CA
15	NRC7704	UNIVERSAL JOINT		TO CA
16	NRC7704	UNIVERSAL JOINT		TO HA 601606
16	NRC7387	UNIVERSAL JOINT		FROM HA 601607
17	NTC8478	SHAFT		
18	STC786	DAMPER		
A	NRC8279	STEERING LOCK		TO HA 610293
A	PRC8907	STEERING LOCK		JA 610294 - LA 647644
A	STC1435	STEERING LOCK		FROM MA 647645
B	PRC3408	IGNITION SWITCH		TO HA 610293
B	STC932	IGNITION SWITCH		FROM JA 610294
C	589238	CLAMP		
D	51K4001L	SHEAR BOLT		TO CA 274120
D	NTC4610	SHEAR BOLT		DA 273923 - LA 647644
D	STC2867	SHEAR BOLT		FROM MA 647645
	RTC308	BOX OVERHAUL KIT		3 BOLT
	STC2847	BOX OVERHAUL KIT		4 BOLT
	RTC5071R	BOX OVERHAUL KIT		6 BOLT
	STC2848	BOX BOTTOM SEAL KIT		

1	BR 2091	STEERING BOX LHD		
1	NRC 6051	STEERING BOX LHD		PRE 74
2	RTC6397	DROP ARM		TO JA621350
2	NTC 9235	DROP ARM		FROM JA621351

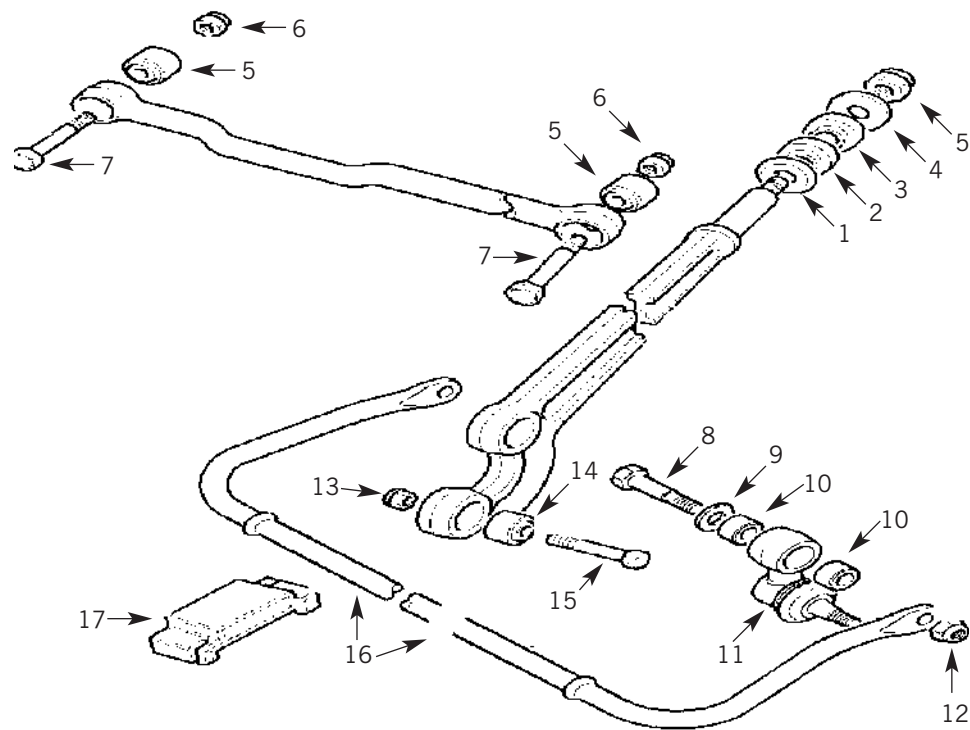
Website - www.bearmach.com

PARTS SUITABLE FOR
RANGE ROVER - Classic



**B
E
A
R
M
A
C
H**

Front Suspension



BEARMACH also offer Heavy Duty Poly Bush Kits for the Land Rover range. These are available for most suspension components. Please see our Accessories Catalogue.

1	572070	WASHER	TO CA	
1	NRC4515	WASHER	FROM CA	
2	572068	BUSH	TO CA	
2	NRC4514	BUSH	FROM CA	
3	572445	WASHER	TO CA	
3	NRC4516	WASHER	FROM CA	
4	NY610041L	NUT	TO CA	
4	NY120041L	NUT	FROM CA	
5	575580	BUSH	TO CA	
5	ANR3410	BUSH	FROM CA	
6	252164	NUT	TO CA	
6	NY114041L	NUT	FROM CA	
7	BH608261L	BOLT	TO CA	
7	BH114167	BOLT	FROM CA	
8	NTC8202	PIN	FROM CA	
9	264024	WASHER	FROM CA	
10	552819	BUSH	FROM CA	
11	NTC1888	LINK	FROM CA	
12	NC112041	CASTLE NUT	FROM CA	
13	NY610041L	NUT	TO CA	
13	NY116051L	NUT	FROM CA	
14	NTC7307	BUSH	TO CA	
14	NTC6860	BUSH	FROM CA	
14	NTC6781	BUSH	FROM CA	ANTI ROLL BAR
15	BH610281L	BOLT	TO CA	
15	BX116201L	BOLT	FROM CA	
16	NTC6836	ANTI ROLL BAR	FROM CA	
16	NTC6837	ANTI ROLL BAR	FROM JA 610294	AIR SUSPENSION
17	ANR4188	BUMP STOP	TO HA 610293	
17	ANR4188	BUMP STOP	JA 610294 - MA 656125	DIESEL
17	NTC6085	BUMP STOP	JA 610294 - MA 656125	PETROL 2 DOOR
17	ANR4188	BUMP STOP	JA 610294 - MA 656125	PETROL 4 DOOR
17	ANR4188	BUMP STOP	FROM MA 656126	

QUICK REFERENCE

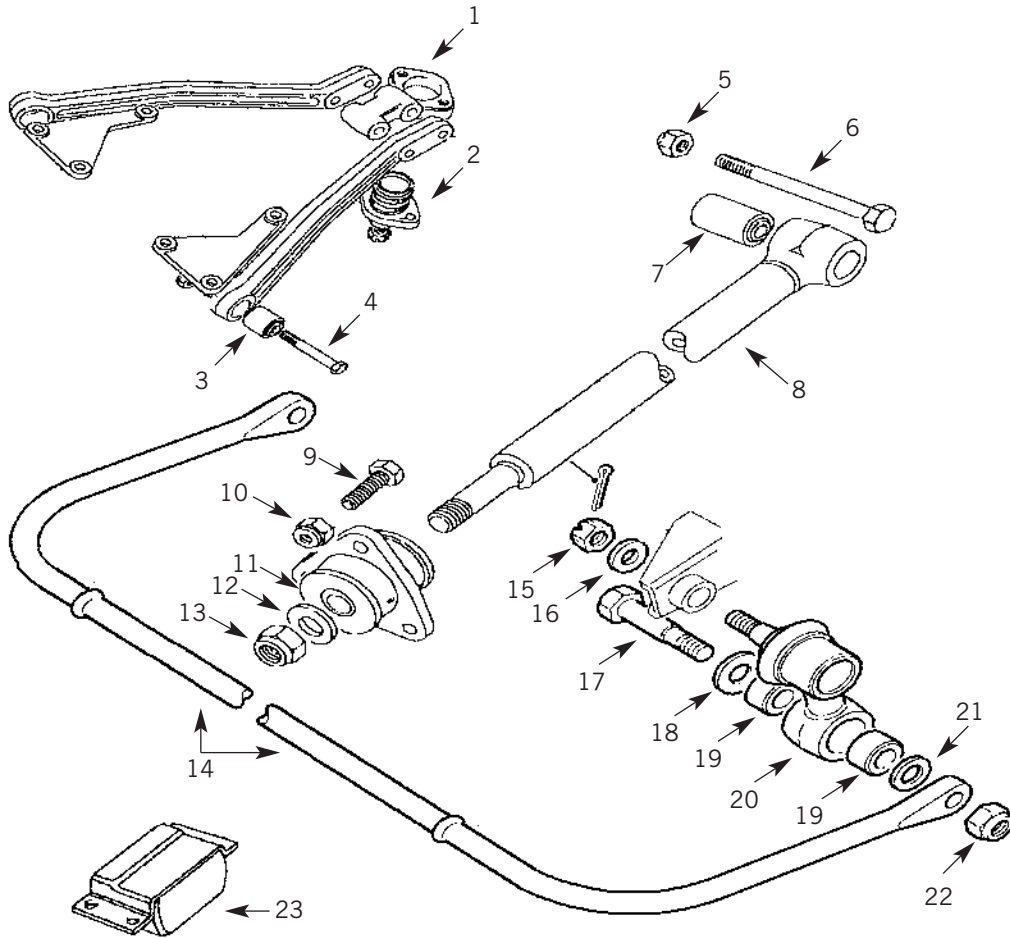
PAGE
38

PARTS SUITABLE FOR
RANGE ROVER - Classic

Tel: +44 (0)29 20 856 550



Rear Suspension

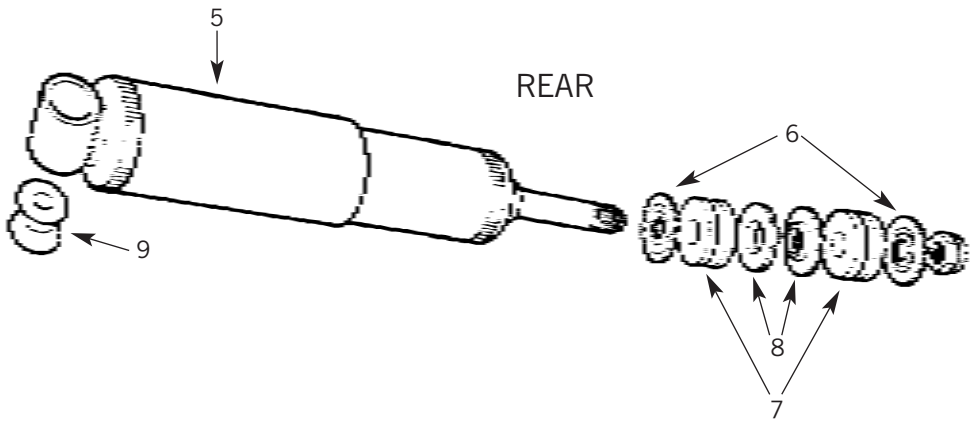
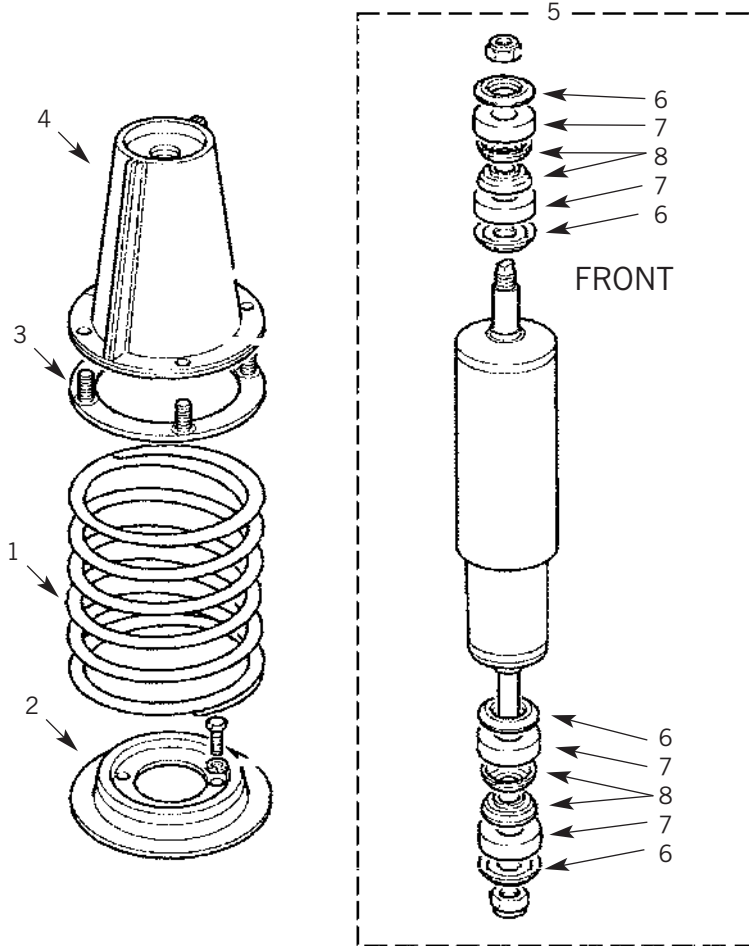


1	90575878	REAR AXLE FULCRUM	TO KA 638682	
1	ANR3037	REAR AXLE FULCRUM	FROM KA 638682	
2	ANR1799	BALL JOINT		
3	90575626	BUSH	TO CA	
3	NTC1773	BUSH	FROM CA	
4	BH612321	BOLT		
5	NY610041L	NUT		
6	BH610321L	BOLT		
7	NTC1772	BUSH		
8	577853	LOWER LINK	TO CA	
8	NTC8328	LOWER LINK	FROM CA	
8	NTC9831	LOWER LINK	FROM JA 610293	AIR SUSPENSION
9	SH606091L	BOLT	CA - HA 610293	
9	SH110301	BOLT	FROM JA 610293	
10	NY606041L	NUT	CA - HA 610293	
10	NY110047L	NUT	FROM JA 610293	
11	572180	MOUNTING	TO CA	
11	NTC9027	MOUNTING	SINGULAR	
11	STC618	MOUNTING	PAIR	
12	572134	WASHER	TO CA	
12	WA120001	WASHER	FROM CA	
13	NY610041L	NUT	TO CA	
13	NY120041L	NUT	FROM CA	
14	ANR4344	ANTI ROLL BAR	FROM CA	
15	NC112041	CASTLE NUT	FROM CA	
16	WC112081L	WASHER	FROM CA	
17	NTC8202	BOLT	FROM CA	
18	264024	WASHER	FROM CA	
19	552819	BUSH	FROM CA	
20	NTC1888	JOINT	FROM CA	
21	WC116101	WASHER	FROM CA	
22	NV116041L	NUT	FROM CA	
23	ANR4188	BUMP STOP	4 HOLE	UP TO HA 610293
23	NTC6086	BUMP STOP	CSK ONLY	UP TO HA 610293
23	ANR4189	BUMP STOP	2 HOLE	UP TO MA 656125
23	NTC6086	BUMP STOP		FROM MA 656125



**B
E
A
R
M
A
C
H**

Shock Absorbers & Springs



1	572315	FRONT SPRING	PETROL	
1	NRC2119	FRONT SPRING	DIESEL	TO HA477607
1	NTC8477	FRONT SPRING	DIESEL	FROM HA 477608
1	NTC9819	FRONT AIR SPRING	AIR SUS	JA 610294 ON
1	NRC4304	REAR SPRING		112533 - CA (4DOOR)
1	NRC2119	REAR SPRING		TO CA
1	NRC8113	REAR SPRING		CA TO GA 464553
1	NRC2119	REAR SPRING		HA 464554 - LA 647644
1	ANR3520	REAR SPRING		FROM MA 647645
1	NTC9820	REAR AIR SPRING	AIR SUS	JA 610294 ON
2	575579	LOWER SEAT		TO CA
2	NRC9700	LOWER SEAT		FROM CA
3	572087	RETENTION RING	FRONT	
4	NRC6372	SPRING MOUNTING	FRONT	
5	RTC4582	FRONT SHOCK		TO CA
5	STC2829	FRONT SHOCK	NO ANTI ROLL BAR	CA TO HA 610293
5	STC207	FRONT SHOCK	ANTI ROLL BAR	CA TO HA 610293
5	STC2829	FRONT SHOCK	NO AIR SUS	JA 610294 ON
5	STC2830	FRONT SHOCK	AIR SUS	JA 610294 ON
5	RTC4583	REAR SHOCK		TO CA
5	STC3941	REAR SHOCK		CA TO GA 417084
5	STC3939	REAR SHOCK	NO AIR SUS	FROM GA 417085
5	STC2831	REAR SHOCK	AIR SUS	JA 610294 ON
6	500746	WASHER		
7	552818	BUSH		TO LA 081990
7	ANR1721	BUSH		FROM MA 081991
8	NRC4365	WASHER		
9	552819x2	BUSH		TO GA 417084
9	NRC5593	BUSH		FROM GA 417085

BEARMACH also offer Heavy Duty BLUE SPRINGS for the Land Rover range and are a popular upgrade to the standard items. Please see our Accessories Catalogue.

Tel: +44 (0)29 20 856 550

Manufacturers' part numbers are used for reference purposes only

QUICK REFERENCE

PAGE
40

PARTS SUITABLE FOR
RANGE ROVER - Classic